



TECHNICAL SPECIFICATION SHEET

PRODUCT NAME: Monto Sit Stand Riser

PRODUCT CODE: MON/001/XXX

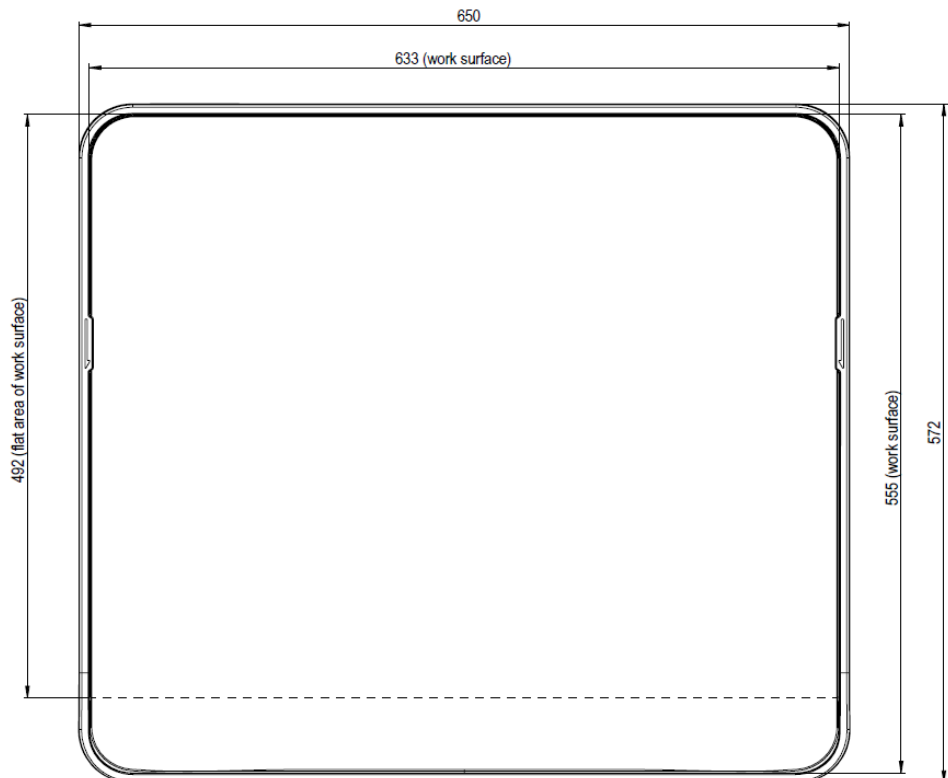
Doc Rev 2.

Product Rev #B

16.09.21 KO

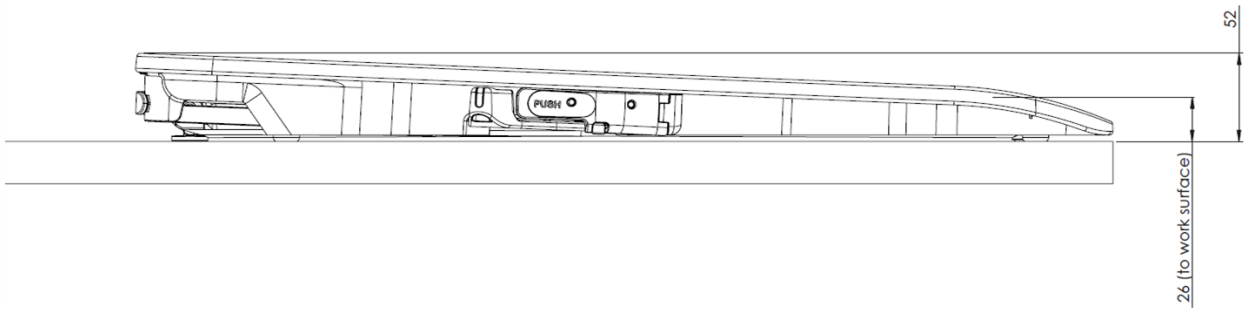


Work Surface Dimensions

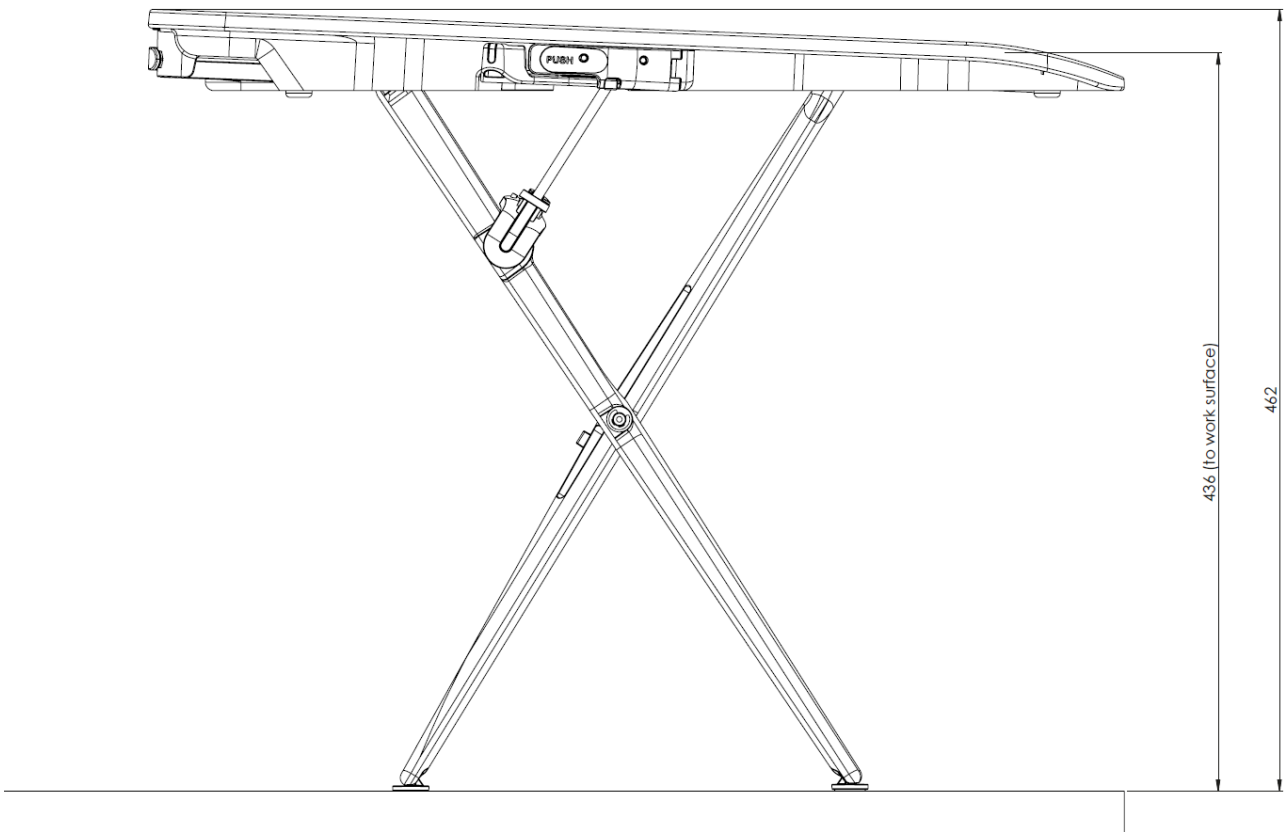


Dimensions are in mm

Minimum Height Position



Maximum Height Position



Dimensions are in mm

(Note that dimensions are approximate. There may be slight variance in actual use.)

KEY FEATURES

- Easily converts a fixed-height workstation to sit-stand functionality.
- Quick and simple lever-operated height adjustment with 9 height positions.
- Lowest 'sitting' position adds minimum thickness to the work surface height.
- Lightweight and slimline design – easy to carry and easy to store when not in use.
- Integral cable management features.
- Material selection and 'design-for-disassembly' make Monto 99% recyclable at the end of its operational life.
- Can be used in conjunction with CBS dynamic monitor arms and dedicated 'extended' desk mounts.

Height Range:	26mm min to 436mm max (to work surface)
Product Weight:	7.55kg
Maximum Supported Load:	7kg
Recycled Material Content:	32.5%
Total Product Recyclable:	99%
Product Packaging:	100% plastic-free

LOGISTICAL

Box contains:	Monto Sit Stand Riser, instructions for installation and use.
Product net weight:	7.55kg*
Box dims:	675 x 600 x 70mm*
Box gross weight:	8.65kg*
Master carton quantity:	3 units
Master carton dims:	690 x 620 x 215mm*
Master carton gross weight:	27kg*
Country of origin:	China

*Sizes and weights are approximate and may be subject to variation

ORDERING INFORMATION

Product Description	Product code	Colour
Monto Sit Stand Riser	MON/001/B01/S	Black platform, silver legs

WARRANTY

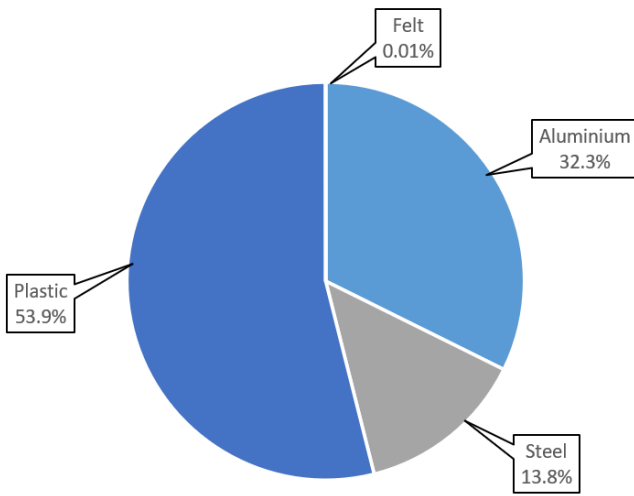
Warranty Term	5 years
----------------------	---------

ENVIRONMENTAL

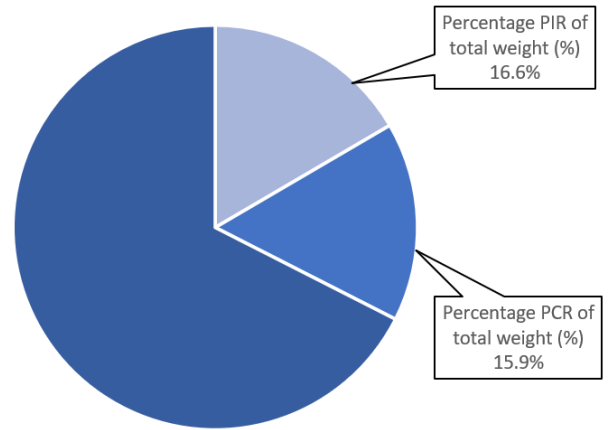
Material Make-up			Total Recycled Content	Breakdown of Recycled Content		Total Recyclable	
Overall Product			Overall Product	Overall Product		Overall Product	
Material type	Total Material type weight (g)	Percentage of Total Product Weight (%)	Material-Type Recycled Content (%)	Percentage PIR of total weight (%)	Percentage PCR of total weight (%)	Total Product Recyclable (g)	Total Product Recyclable (%)
Aluminium	2440.0	32.3%	30.7%	16.3%	14.4%	2440.0	32.3%
Steel	1039.0	13.8%	1.8%	0.3%	1.5%	1039.0	13.8%
Plastic	4070.0	53.9%	0.0%	0.0%	0.0%	4047.7	53.6%
Felt	1.0	0.01%	0.0%	0.0%	0.0%	0.0	0.00%
Total	7550.0	100.0%	32.5%	16.6%	15.9%	7526.7	99.7%

Due to calculation rounding there may be some small variations in displayed percentage totals.

PIR = Post Industrial Recycled
PCR = Post Consumer Recycled



Total Product Weight (%)



Total Product Recycled Content (%)

Product packaging is 100% plastic-free.

CLEANING, STORAGE & MAINTENANCE

Routine servicing

Periodic inspection

Service components

Available to order

Cleaning & Maintenance

Damp cloth, no abrasives, no solvents to be used on the cosmetic surfaces

Handling & Storage

Do not drop or expose to moisture

While every effort is made to ensure the accuracy of our technical information, Colebrook Bosson Saunders (Products) Ltd accept no liability for the accuracy of the information contained in this document and reserve the right to modify the specifications or data contained herein without prior notification.