

PortHole II Through Desk Power and USB Charging Module



Main Features

Easy Fixing

The PortHole through desk power and data module has been designed to fit any desk that has been installed with a standard 80mm grommet hole.

Power and Data

The module can be supplied with a choice of power, data and AV configurations.

USB Charging

Complies with the latest charging standard (BS EN 62684:2010 Interoperability specifications of common external power supply (EPS) for use with data-enabled mobile telephones).



fig. 01

USB Charging Specification:

- Complies with the latest charging standard (BS EN 62684:2010 Interoperability specifications of common external power supply (EPS) for use with data-enabled mobile telephones).
- Dual port USB charger capable of charging a wide range of devices including the simultaneous charging of two Apple devices.
- Two independent USB charging ports, which can be used at the same time.
- Powered from adjacent power socket so no additional wiring is required.
- The charger is compatible with our full range of in-desk and on-desk modules.

Compatible Devices:

Please note that this table represents a sample of devices tested and is accurate as of Monday 3rd June 2013. If you intend to use this product with an untested device we strongly recommend that you request a sample module and test the device before placing an order.

iPad	iPhone 4S	iPhone 5	itouch	Nexus	Nexus 4	Playbook	Black-berry (Curve)	Samsung Galaxy S2	Samsung Galaxy S3	Kindle HD	HTC Desire	HTC Desire Z	HTC Desire HD
✓	✓	✓	✓	✓	✓	✓	✓	✓	✓	✓	✓	✓	✓

Note: The dual port charging device is for charging only. No connection is made to a computer so data transfer is not available. USB cables are required but are not provided.



PortHole II Through Desk Power and USB Charging Module

Quick and Easy to Install

1. Remove the fixing nut.
2. Place the module through the grommet hole (see fig.02).
3. Replace the fixing nut to secure. (see fig. 03)
4. Connect the power cable

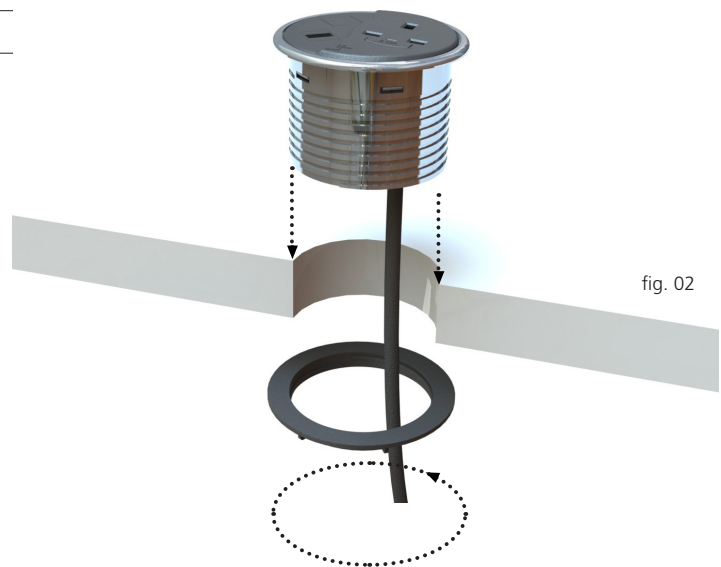


fig. 02

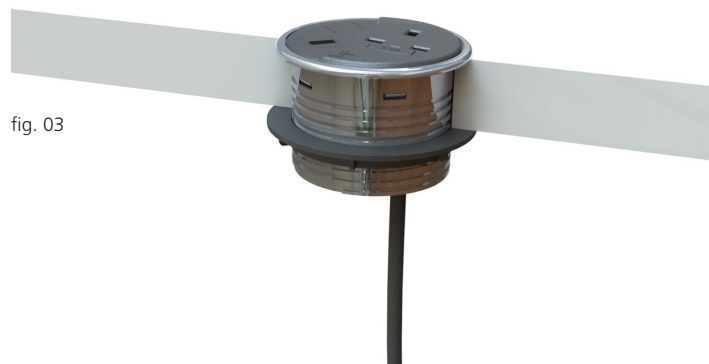


fig. 03

Cleaning, Storage & Maintenance

Service Components	Available to order.
Cleaning & Maintenance	Dry cloth, no abrasives or solvents to be used on the module surface.
Handling & Storage	Do not drop or expose to moisture.

Warning

- Do not use this product for any purpose other than which it was designed for.
 - Do not over tighten the fixing nut.
 - All electrical cables should be fitted by a qualified electrician.
 - Do not attach power and/or data cables before fitting.
 - Do not dismantle or remodel the power module.
- NB: CMD cannot accept any responsibility or liability for providing category 5e performance in products supplied. We will however, fit category 5e specification components where specified.