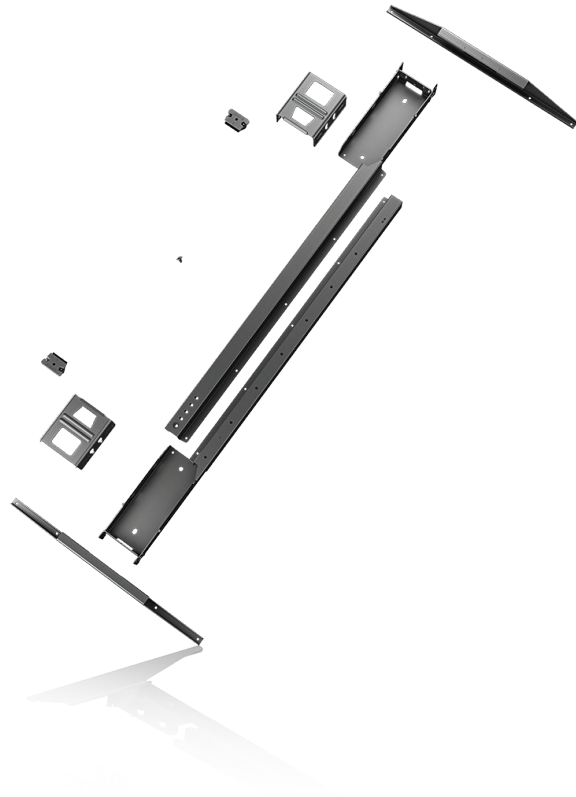


Kick & Click[™] Data sheet

Kick & Click™

The Kick & Click™ system is the smart and intuitive solution for mounting DESKLIFT™ columns to the tabletop. The solution is perfect for various office desks. The unique feature of Kick & Click is the way of mounting. Click the system together without using tools and screws, simply clever. Kick & Click is a modular concept compatible with all DESKLINE® columns with motor housing leaving the design to the desk manufacturer. Kick & Click comes standard in 3 variants: Kick & Click™ Adjustable (standard or compact), Kick & Click™ Fixed and Kick & Click™ Base. Additionally, Kick & Click™ can be used for creating large three-legged office desks by joining a Kick & Click 3rd leg kit with a Kick & Click system.



Features for all versions:

- Max. total load (including the tabletop):
 - Two-legged desks: 160 kg equally loaded, i.e. 80 kg on each column
 - Three-legged desks: 240 kg equally loaded, i.e. 80 kg on each column
- Colour (all metal parts): Available in black (RAL 9005), grey (RAL 9006), or white (RAL 9016)
- Cantilever length: 550 mm
- Oval holes ensure flexibility as regards pre-drilling holes in tabletop
- Central or off-centre placement of columns (T-desk or C-desk)

Kick & Click™ Fixed:

- Fits desks of 1200 mm (frame width 1140 mm)
- Set-packed or bulk deliveries
- Can be delivered with screws for mounting the tabletop

Kick & Click™ Adjustable:

- Fits desks
 - Standard: from 1400 to 2000 mm (frame width 1340 to 1940 mm)
 - Compact: from 1000 to 1300 mm (frame width 940 to 1240 mm)
- Set-packed (both versions) or bulk deliveries (standard version only)
- Can be delivered with screws for mounting the tabletop

Kick & Click™ Base:

- Base consists of Cantilever (x2), Base (x2), Clamp (x2) and Kick Lock (x2) for a two-legged desk
- Bulk deliveries only

Options

- 3rd leg kit for large desks

Usage:

- DESKLINE® systems based on columns (standard or IC) with motor housing: DL5, DL6, DL8, DL9, DL10, DL11, DL15, DL16, DL18, DL19, or DL21
- Can be used for either T-desk (central placement of legs) or C-desk (off-centre placement of legs)
- Kick & Click Adjustable complies with EN527-1 and EN527-2 for tabletops sized from 1.4 m to 2.0 m (standard) or from 1.0 m to 1.3 m (compact)
- Kick & Click complies with ANSI BIFMA X5.5 up to 1.8 m table length
- If a complete desk frame is required, use Kick & Click™ together with DESKLIFT™ Feet and a DL SetPack solution



Kick & Click Fixed



Kick & Click Adjustable Standard



Kick & Click Adjustable Compact

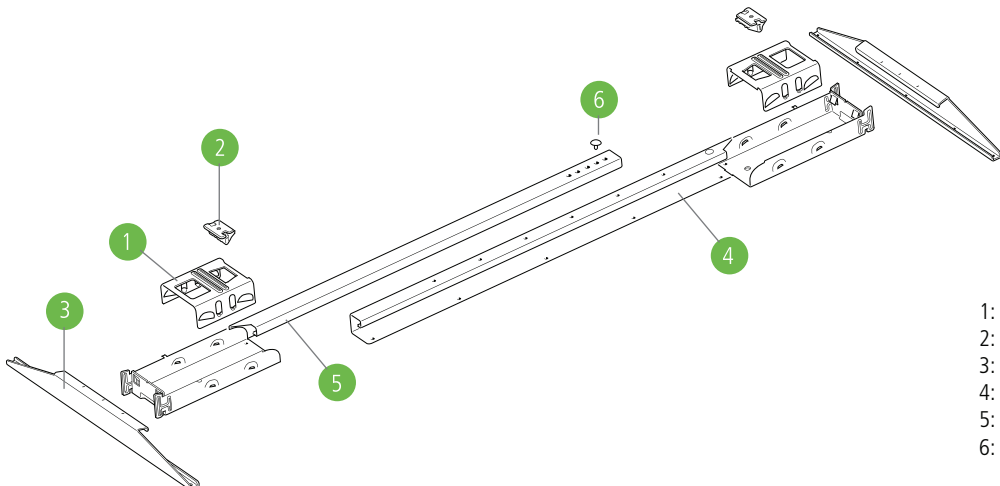


Kick & Click™ Base



Kick & Click™ 3rd leg kit

Kick & Click™ names of the different parts

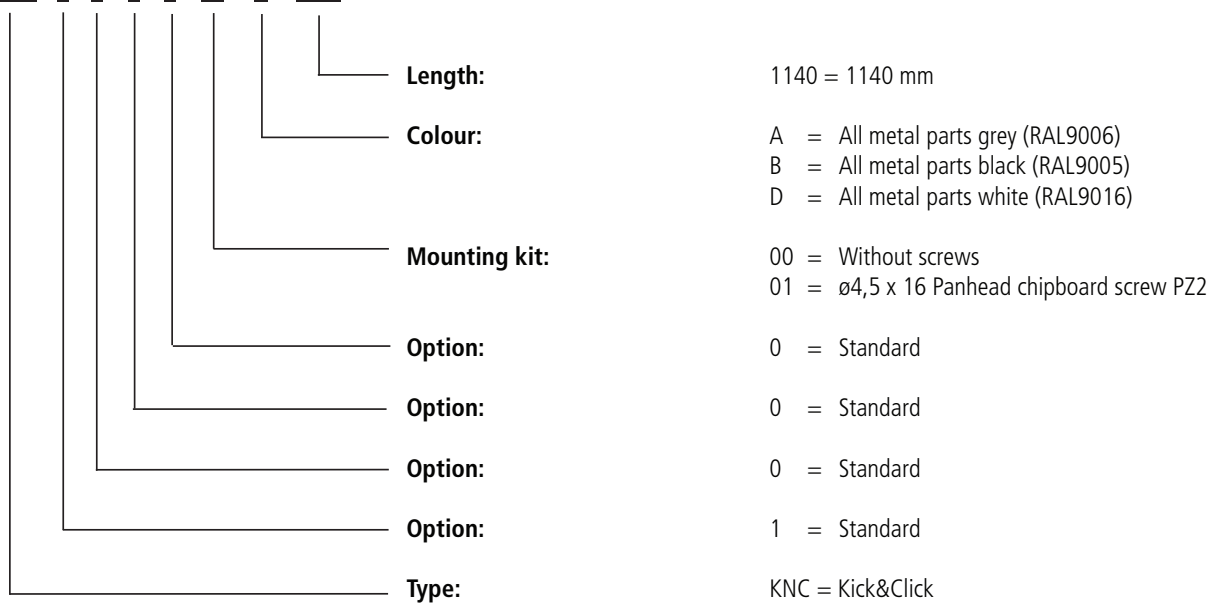


- 1: Clamp
- 2: Kick lock
- 3: Cantilever
- 4: Inner rail
- 5: Outer rail
- 6: Clips

Ordering examples


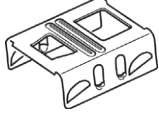
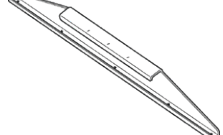

Kick & Click™ Fixed
Set-packed delivery

KNC 1 0 0 0 01 A 1140



50 sets fit on a standard pallet.

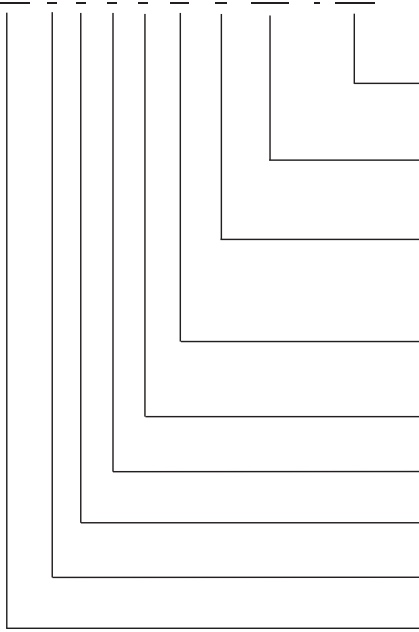
Bulk delivery

Product	Description	Units needed per desk	Article number
	Kick Lock	2	1003W1003, black
	Clamp	2	1003W3001-120, grey 1003W3001-001, black 1003W3001-022, white
	Cantilever	2	1003W3002-550-120, grey 1003W3002-550-001, black 1003W3002-550-022, white
	Fixed rail with bases	1	1003-W3005-1134-120, grey 1003-W3005-1134-001, black 1003-W3005-1134-022, white

Ordering examples

Kick & Click™ Adjustable Set-packed delivery

KNC 1 0 0 0 01 A 1340 - 1940




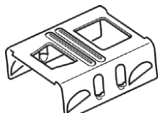
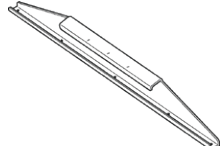
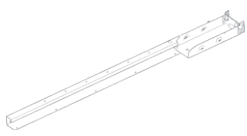
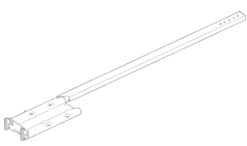

- Fully extended length*:** 1940 = Standard
1280 = Compact
- Fully retracted length*:** 1340 = Standard
0970 = Compact
- Colour:** A = All metal parts grey (RAL9006)
B = All metal parts black (RAL9005)
D = All metal parts white (RAL9016)
- Mounting kit:** 00 = Without screws
01 = ø4,5 x 16 Panhead chipboard screw PZ2
- Option:** 0 = Standard
- Option:** 0 = Standard
- Option:** 0 = Standard
- Option:** 1 = Standard
- Type:** KNC = Kick&Click

*: Both must always be the same version, either 'Standard' or 'Compact'




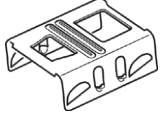
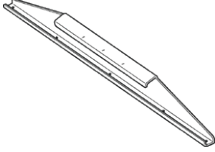
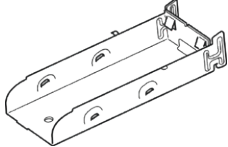
50 sets fit on a standard pallet.

Bulk delivery (standard version only)

Product	Description	Units needed per desk	Article number
	Kick Lock	2	1003W1003, black
	Clamp	2	1003W3001-120, grey 1003W3001-001, black 1003W3001-022, white
	Cantilever	2	1003W3002-550-120, grey 1003W3002-550-001, black 1003W3002-550-022, white
	Inner rail	1	1003W3003-1062-120, grey 1003W3003-1062-001, black 1003W3003-1062-022, white
	Outer rail	1	1003W3004-1062-120, grey 1003W3004-1062-001, black 1003W3004-1062-022, white
	Clips	1	1003W1008, black

Kick & Click™ Base

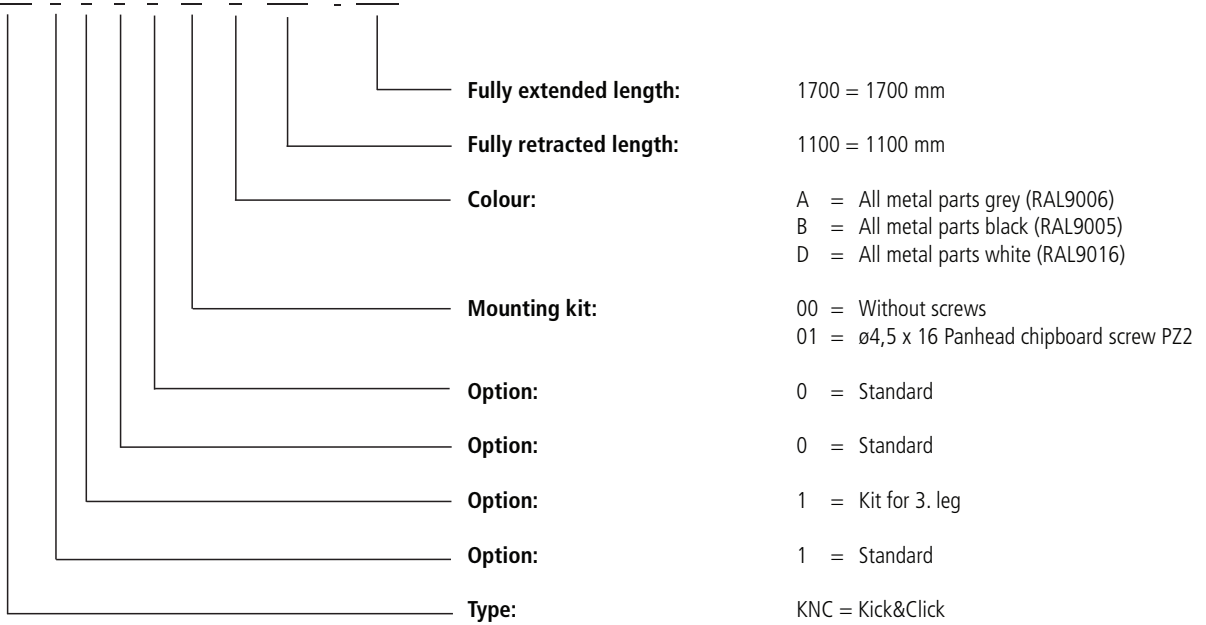
Bulk delivery (the only option)

Product	Description	Units needed per desk	Article number
	Kick Lock	2	1003W1003, black
	Clamp	2	1003W3001-120, grey 1003W3001-001, black 1003W3001-022, white
	Cantilever	2	1003W3002-550-120, grey 1003W3002-550-001, black 1003W3002-550-022, white
	Base	2	1003W3006-120, grey 1003W3006-001, black 1003W3006-022, white 1003W3006-000, unpainted


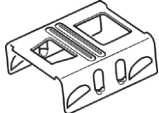
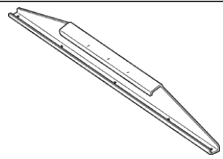
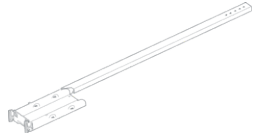
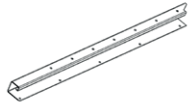

Ordering examples

Kick & Click™ 3rd leg kit Set-packed delivery

KNC 1 1 0 0 01 A 1100 - 1700



Bulk delivery

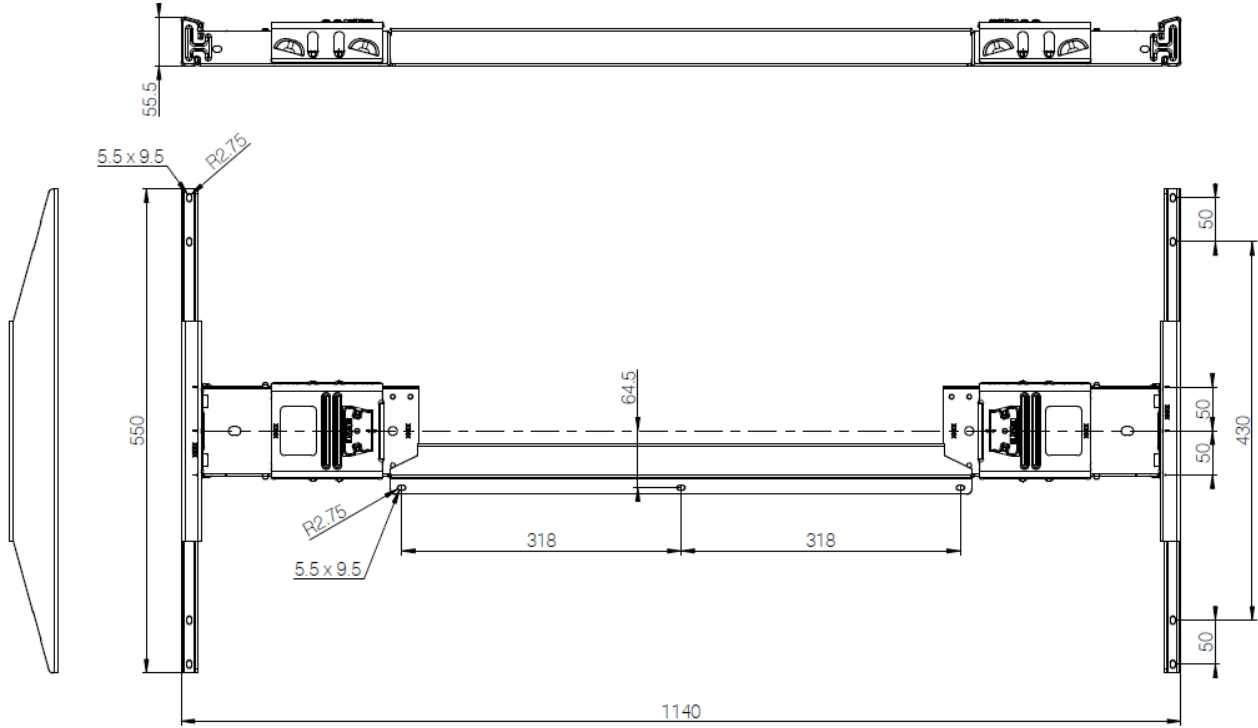
Product	Description	Units needed per desk	Article number
	Kick Lock	1	1003W1003, black
	Clamp	1	1003W3001-120, grey 1003W3001-001, black 1003W3001-022, white
	Cantilever	1	1003W3002-550-120, grey 1003W3002-550-001, black 1003W3002-550-022, white
	Outer rail	1	1003W3004-1062-120, grey 1003W3004-1062-001, black 1003W3004-1062-022, white
	Inner rail w. cut	1	1003W3007-120, grey 1003W3007-001, black 1003W3007-022, white
	Clips	1	1003W1008, black

Dimensions

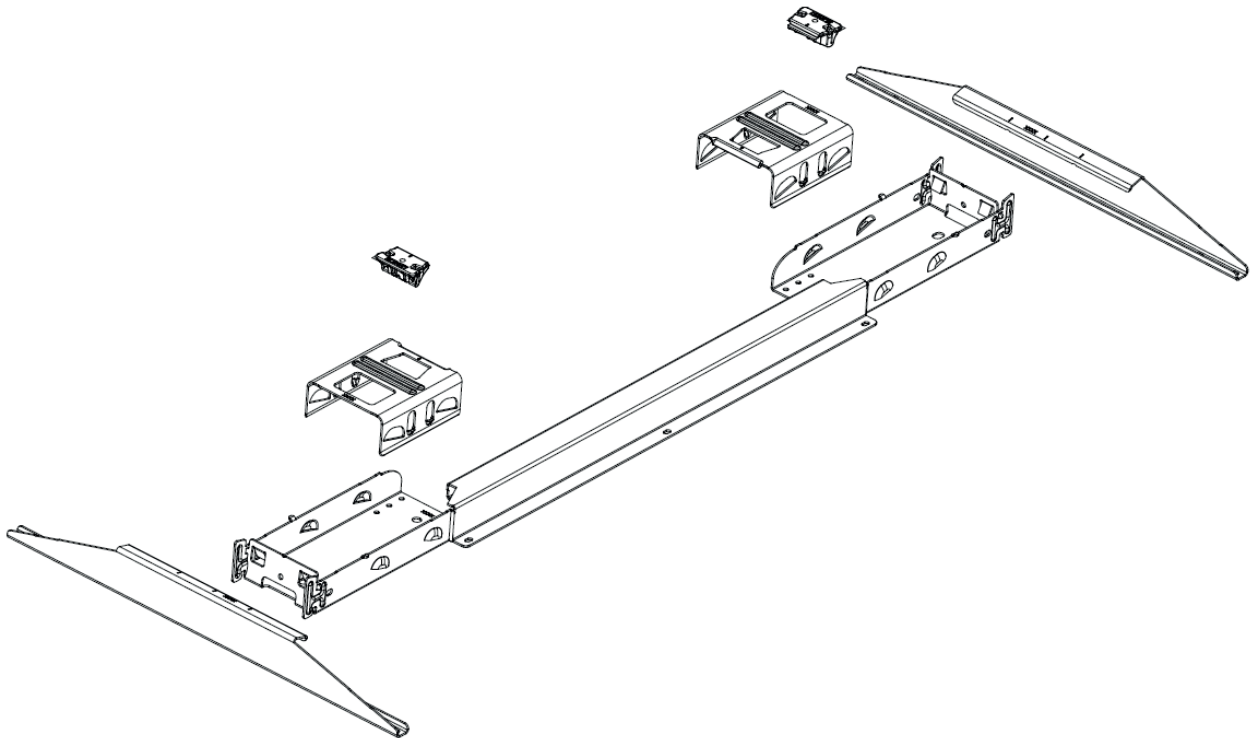
Kick & Click™ Fixed



All measurements are without powder coating.



Kick & Click Fixed dimensions in mm

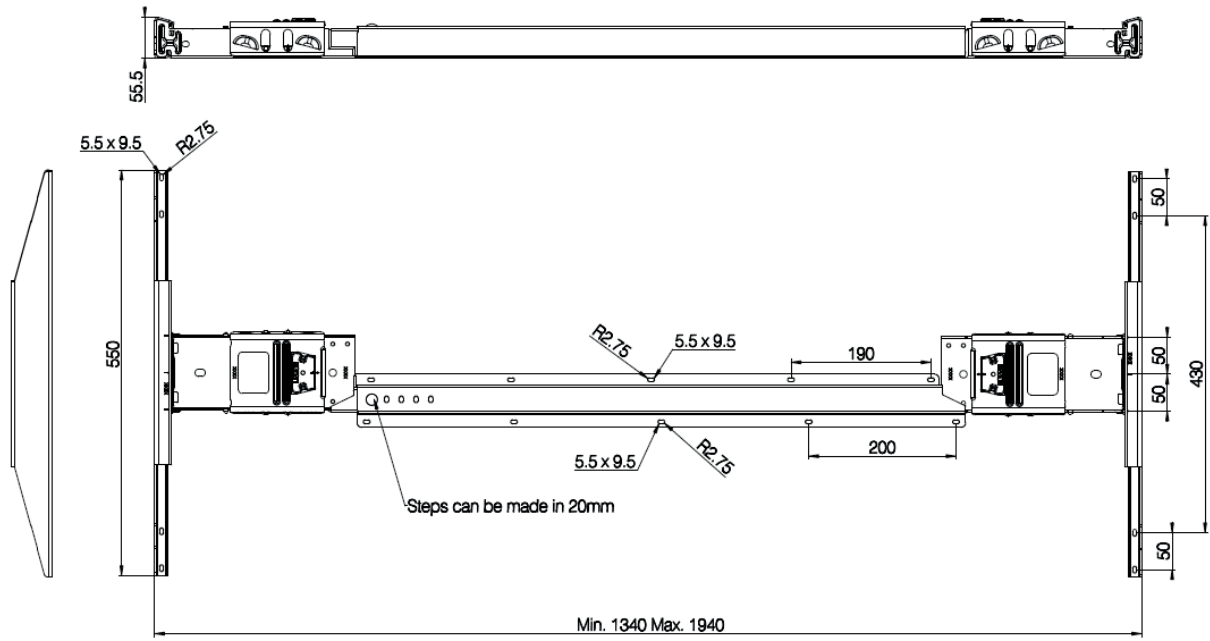


Kick & Click Fixed exploded view

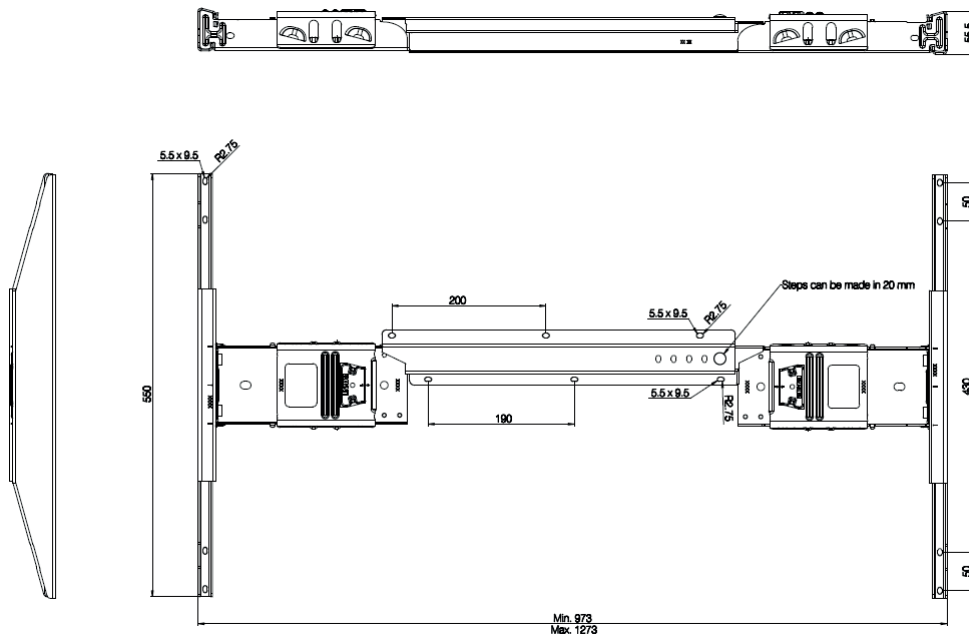
Compared to the Kick & Click Adjustable system the Kick & Click Fixed system only consists of one rail with the base welded onto it in both ends.

Dimensions

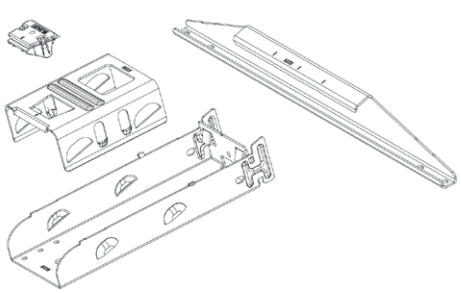
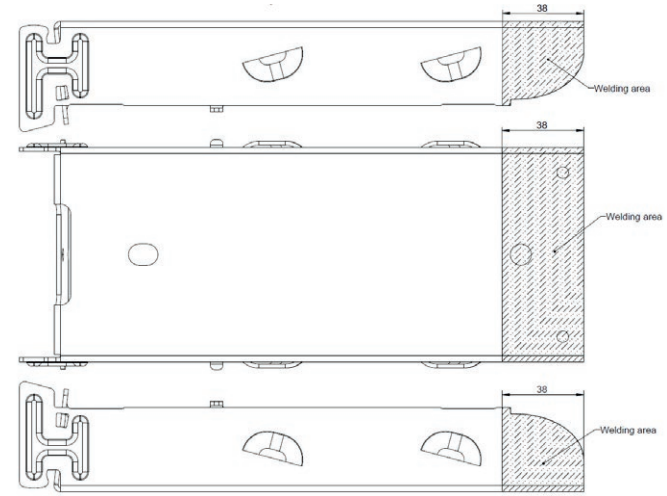
Kick & Click™ Adjustable



Kick & Click Adjustable (standard) dimensions in mm



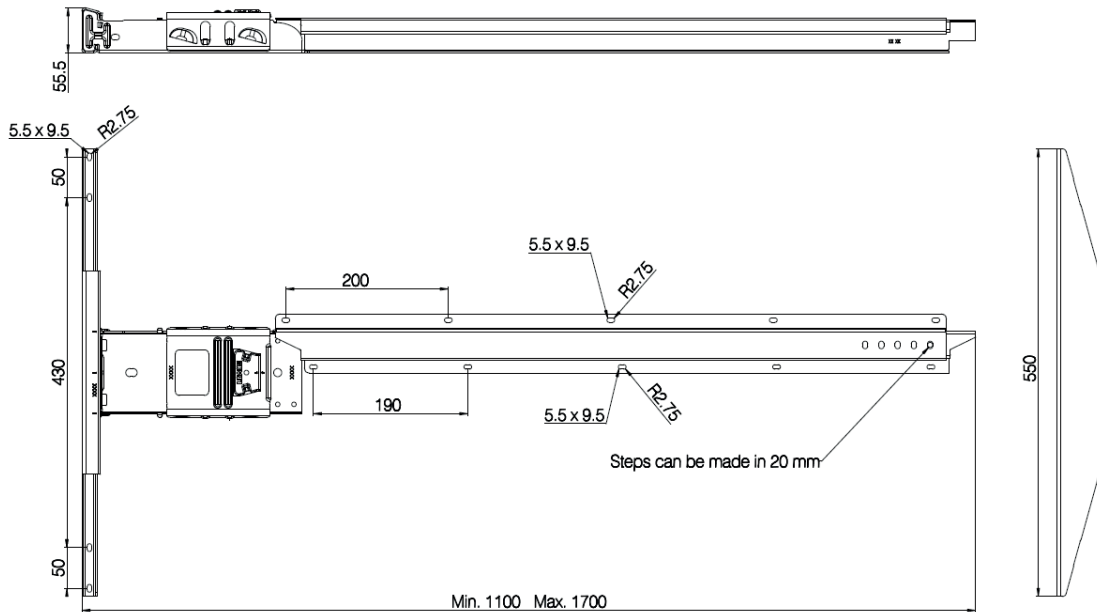
Kick & Click Adjustable (compact) dimensions in mm

Parts delivered	Allowed welding areas (shaded)
	

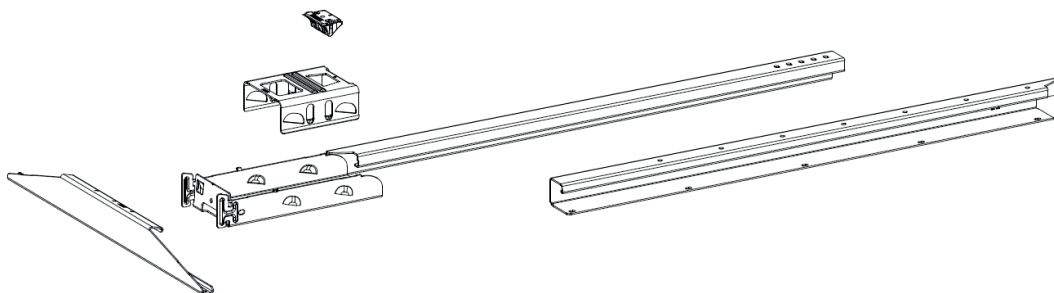


The Kick & Click Base must only be used in connection with a Kick & Click cantilever.
Do not develop your own cantilever!

Kick & Click™ 3rd leg kit



Kick & Click 3rd leg kit dimensions in mm



Kick & Click 3rd leg kit exploded view

The Kick & Click 3rd leg kit system includes a telescopic inner and outer rail and has only one base, which is welded onto the outer rail.

LINAK® accepts no responsibility for possible errors or inaccuracies in catalogues, brochures, and other material. LINAK reserves the right to change its products without prior notice. LINAK cannot guarantee product availability and reserves the right to discontinue the sale of any product. The user is responsible for determining the suitability of LINAK products for a specific application. All sales are subject to the 'Standard Terms of Sale and Delivery', available on LINAK websites.

LINAK and the LINAK logotype are registered trademarks of LINAK A/S. All rights reserved.

FOR MOUNTING INSTRUCTIONS AND GUIDANCE IN USAGE, PLEASE SEE THE RELEVANT USER MANUAL