



CBD6S 200 W and 300 W (SMPS) Data sheet

CBD6S 200 W and 300 W (SMPS)

The DESKLINE® control box family CBD6S (SMPS) is an optimal choice for a wide range of desk applications. The CBD6S is perfect if you need a small and compact control box that requires a minimum of space when mounted. The CBD6S lifts the line of intelligent DESKLINE control boxes to a new level. While keeping the advantages from earlier generations it adds so much more. It is the most compact and lightweight control box in the DESKLINE series. It keeps the same width as DESKLINE columns with motor housings ensuring that it fits into a top frame, and it is only 38 mm high. From a design perspective, the control box is more intuitive. It has plugs for connection of the legs in each end of the box and it is equipped with cable grooves at the bottom making it easy to lead and hide motor cables from one side of the desk to the other. Furthermore, the plugs are white so they are easily recognised under the desk.

The CBD6S is available in 2 main versions, a 2-channel version (200 W) and a 2, 3 or 4-channel version with more effect (300 W). The CBD6S 300 W is a universal control box meaning that it works worldwide, just add the required mains cable. The control boxes CBD6S are compatible with the entire DESKLINE product programme of columns (DL), built-in actuators (DB) and desk panels as standard. The control box ensures smooth drive of the desk and soft start and stop of the connected columns.

Further features are autodetection of the type and number of DL/DB, making the CBD6S very intuitive to use in a desk design.

From an environmental point of view, the CBD6S is a good choice as the CBD6S has extremely low power consumption in standby mode, only 0.1 W and the CBD6S control box is PVC-Free™, which is state-of-the-art.



CBD6S 200 W features:

- The CBD6S can be connected to 1 or 2 DESKLINE® actuators / columns
- Mains voltage 230 VAC, 50 Hz, or 120 VAC, 60 Hz
- Ultra-compact; length 210 mm length
- Lightweight control box; weight only approx. 400 g

CBD6S 300 W features:

- The CBD6S can be connected to 1, 2, 3 or 4 DESKLINE® actuators / columns
- Mains voltage 100-240 VAC, 50-60 Hz (universal)
- Ultra-compact; length 265 mm length
- Lightweight control box; weight only approx. 500 g

Common features for the CBD6S (200 W and 300 W):

- Ultra-low; height only 38 mm
- Environment:

| | Operation | Storage |
|-----------------------|---------------------|---------------------|
| Ambient temperature: | 5 to 40 °C | -10 to +50 °C |
| Relative humidity: | 20 to 80 % at 30 °C | 20 to 80 % at 30 °C |
| Atmospheric pressure: | 700 to 1060 hPa | 700 to 1060 hPa |
- Compact high-power SMPS (Switch Mode Power Supply)
- Colour: black
- Protection against overload (EOP), by individual current limitation

- The control box is designed with a soft start/stop function
 - Autodetection of the number and type of DL/DB connected
- Possible combinations:

| CBD6S version | No. of channels | Single* | 2 parallel | 3 parallel | 4 parallel |
|---------------|-----------------|---------|------------|------------|------------|
| 200 W | 2 | X | X | | |
| 300 W | 2-4 | X | X | X | X |


* Single means that you plug in only one DL/DB in channel 1.

- Cable grooves at the bottom to optimise cable management
- White plugs for easy recognition when mounting/dismounting
- PVC-Free™ as standard
- Low standby power consumption – only 0.1 W. This is what we call ZERO™
- Exchangeable standard mains cable

Options:

- Anti-Collision™. A system with Anti-Collision can limit the material damage on a desk if a collision with a solid object should occur (only for 3-stage columns)
- Compatible with the battery box BA001 (CBD6S with SW version 1.37 and later)
- All CBD6S 200 W can charge the battery box BA001
- All CBD6S 300 W delivered from factory with SW version 1.57 and later can charge the battery box BA001
- Desk Sensor™ 1 (CBD6S with SW version 1.63 and later)
- CBD6S with SW version 1.37 and later is as standard equipped with multi-parallel software (only CBD6S with SW version 1.46 or later works in multi-parallel systems with DPG).
All CBD6S used in a multi-parallel system must always contain the same software version.
- Compatible with Safety Limit Switch CBDSLS.

Usage:

- Duty cycle max. 10 % \approx 2 minutes continuous use at full load, followed by 18 minutes pause
 Always observe the duty cycle stated on the column product label as this may be lower
- The control box is compatible with all DESKLINE® columns, built-in actuators and DESKLINE controls
- Please note the LA23, LA31, DL1A, DL2 and DL61 1200 N without PIEZO™ and BL1* require a special configuration (use the CBD6S configurator)
- Approvals and regional usage

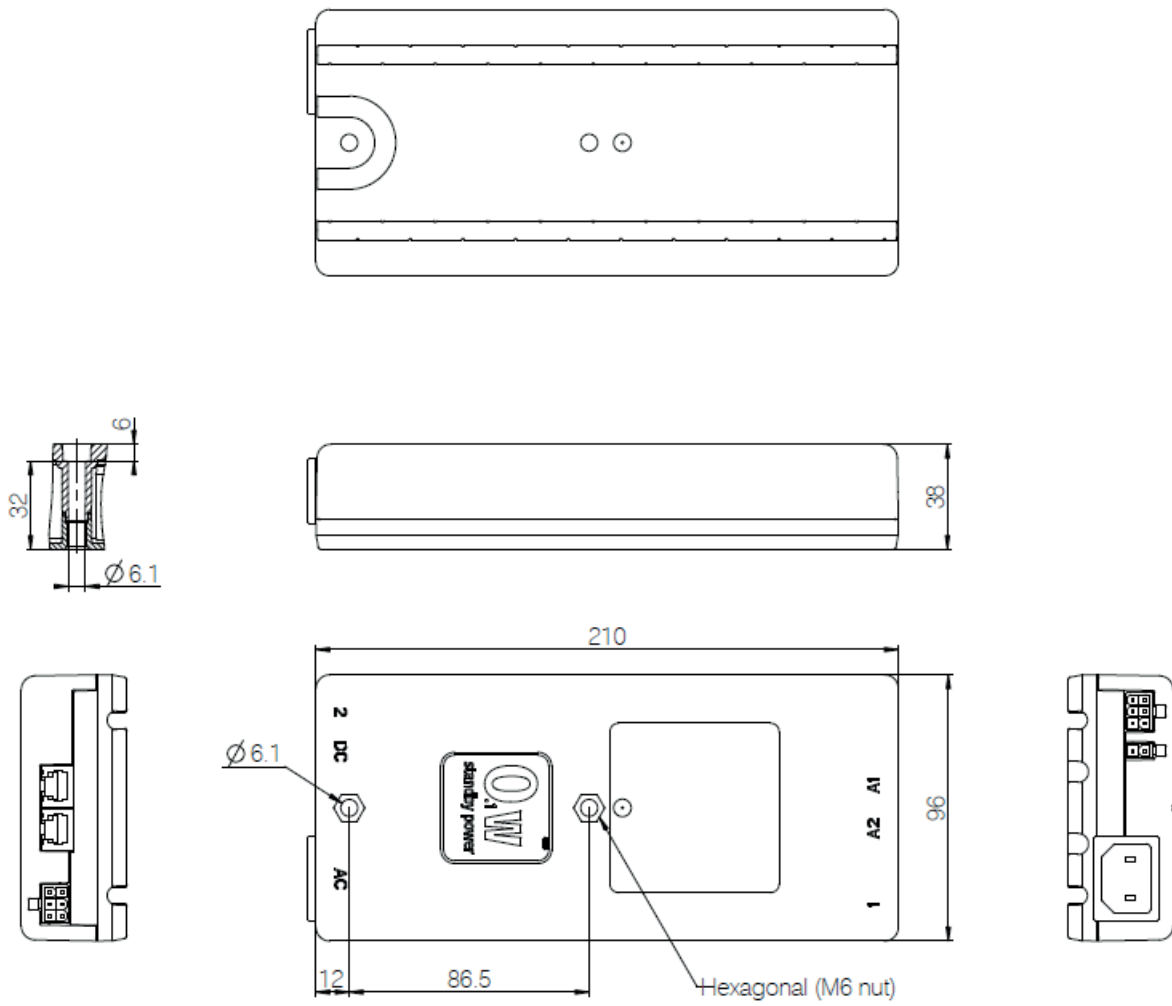
| Version | Power supply | Approvals | Region |
|---------|--------------|-------------------------------------|----------------------|
| 300 W | 100-240 V AC | EN 60335-1, EN 13849-1, UL 962, PSE | Worldwide |
| 200 W | 230 V AC | EN 60335-1, EN 13849-1 | Europe and Australia |
| 200 W | 120 V AC | UL 962 | The US |
| 200 W | 100 V AC | PSE | Japan |

* BL1 in combination with CBD6S:

- is not approved in accordance with EN 60335-1 and UL 962
- cannot lift the specified max. load
- LINAK A/S does not support quality issues

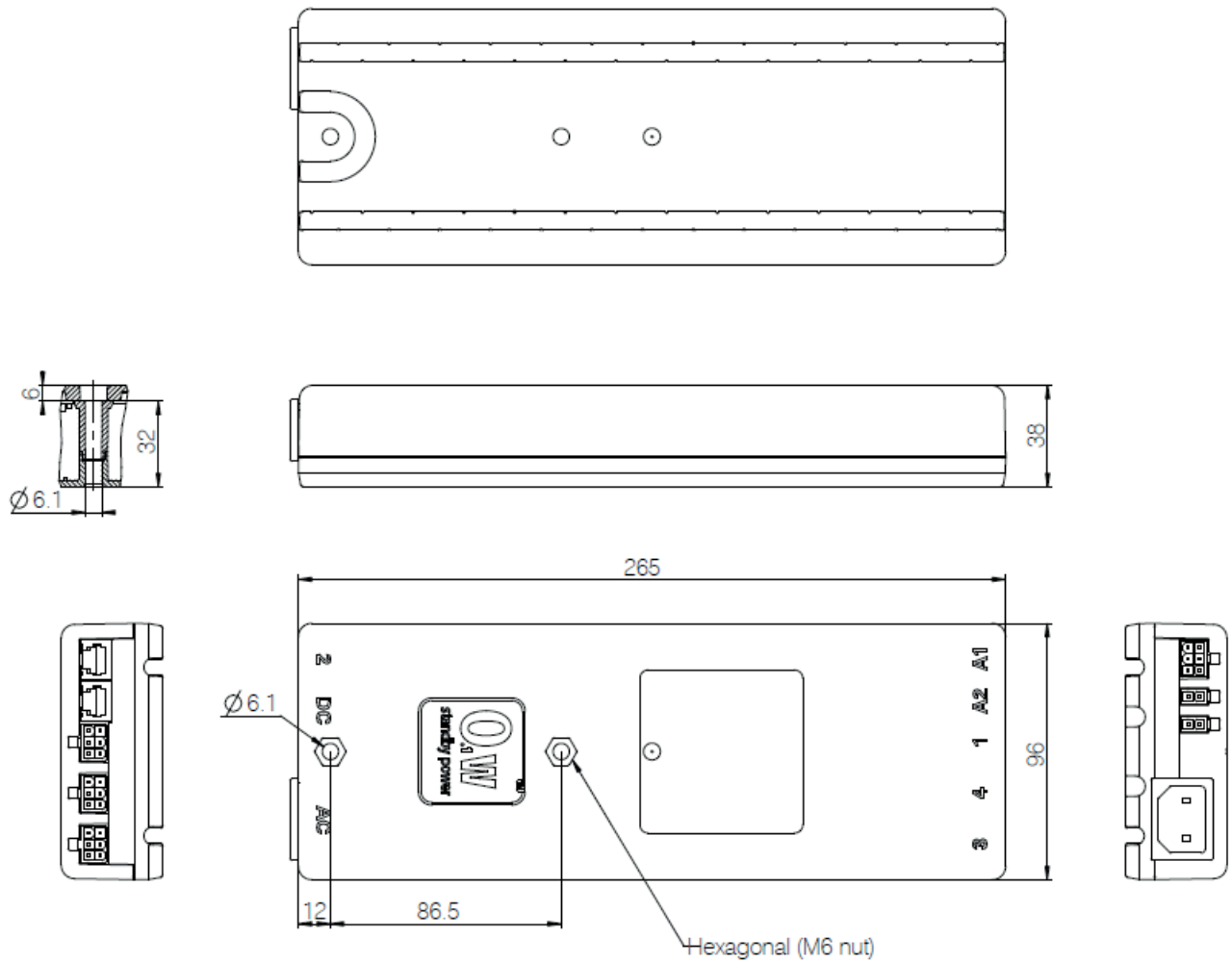
Dimensional drawings

CBD6S 200 W



| | |
|---------|--|
| A1/A2 | Control ports for connection of one or two desk panels or the Anti-Collision™ dongle A1/A2 are parallel ports |
| AC | Connection to the mains supply |
| DC | Connection to Battery Box BA001 |
| 1 and 2 | Sockets for one or two DL/DB |

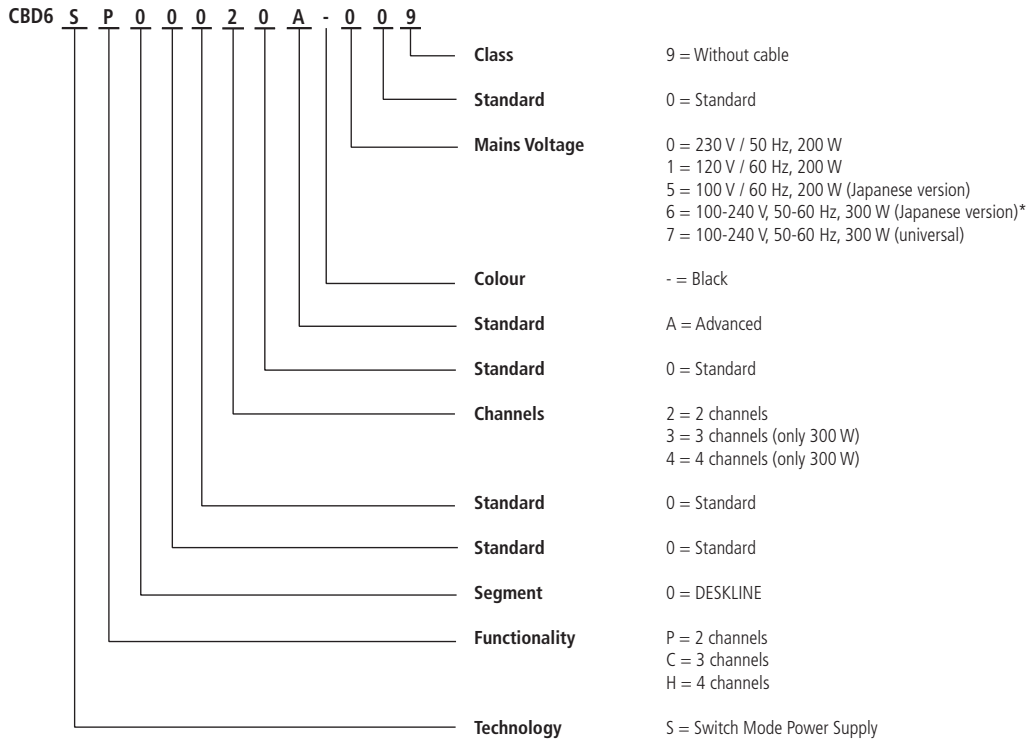
CBD6S 300 W



| | |
|--------|--|
| A1/A2 | Control ports for connection of one or two desk panels or the Anti-Collision™ dongle A1/A2 are parallel ports |
| AC | Connection to the mains supply |
| DC | Connection to Battery Box BA001 |
| 1 to 4 | Sockets for one to four DL/DB |

CBD6S

Ordering example:



* Only available with 4 channels



All cables for creating a fully connected DESKLINE system must be ordered separately. We offer a range of different versions and lengths. For more information such as ordering number, colour and length of the cables, please contact your local LINAK.

LINAK® accepts no responsibility for possible errors or inaccuracies in catalogues, brochures, and other material. LINAK reserves the right to change its products without prior notice. LINAK cannot guarantee product availability and reserves the right to discontinue the sale of any product. The user is responsible for determining the suitability of LINAK products for a specific application. All sales are subject to the 'Standard Terms of Sale and Delivery', available on LINAK websites.

LINAK and the LINAK logotype are registered trademarks of LINAK A/S. All rights reserved.