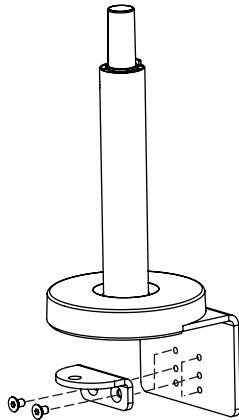
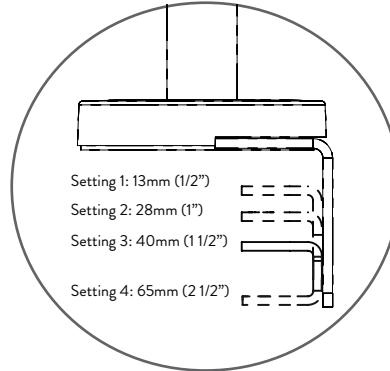


# Ollin/Flo Extended Height Split Clamp DYN/013/AS200

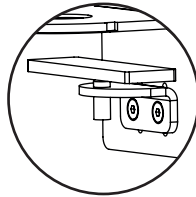
**1A**  
Reposition clamp plate (if required) to suit worksurface thickness



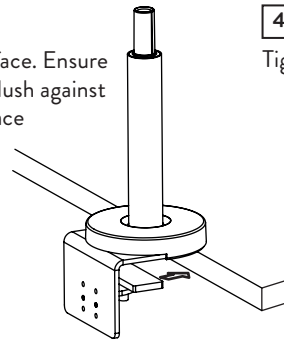
**1B**  
Fit clamp plate to bracket using hole position to suit required desk thickness



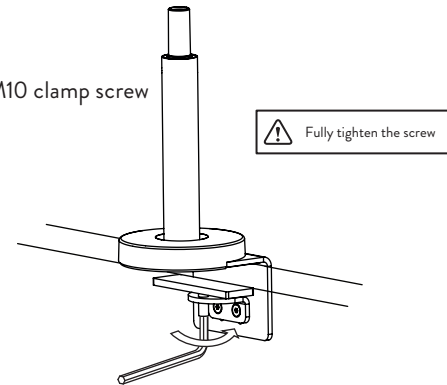
**2**  
Fit M10 screw to clamp plate with clamp pad in position



**3**  
Fit clamp to worksurface. Ensure back of the clamp is flush against edge of the worksurface



**4**  
Tighten M10 clamp screw



**WARNING**

- Do not use this product for any purpose other than that for which it was designed
- Ensure desk/worksurface is suitable to take the weight of the arm and monitor
- Supported weight must not exceed the maximum load per arm
- Take care when installing as fingers could become trapped

**MAINTENANCE AND INSPECTION**

- Ensure all screws are tightened and occasionally adjust if needed
- Ensure arm is pushed fully down onto the clamp before installing the monitor
- Clean with a damp cloth, NO solvents

**DISCLAIMERS**

- The use of power tools, lever bars or excessive force during the installation, or re-configuration of the product will invalidate your guarantee
- Failure to observe the recommendations in the use, and configuration of these products may affect your guarantee
- As a part of Colebrook Bosson Saunders ongoing product improvement programme the design of products may change without prior notice and details may vary from those illustrated

**PATENTS**

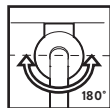
Colebrook Bosson Saunders hold a number of patents and other intellectual property rights covering our products and processes. You can find patent information on our website at: [www.colebrookbossonsaunders.com/patents](http://www.colebrookbossonsaunders.com/patents)

Please consider leaving these instructions with the product if further installation may be required by others

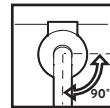
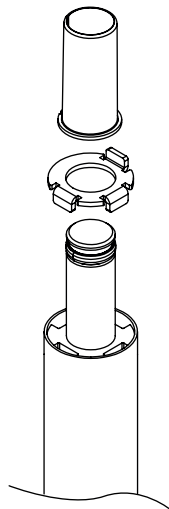
DYN-013-AS200-INST-B SEPT 2020

**Reconfiguring the 180° stop function**

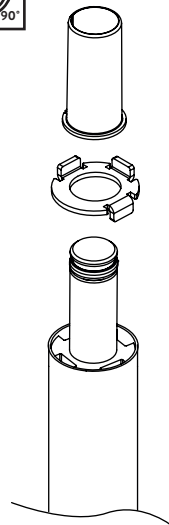
The clamp base is factory fitted with a 180° stop feature. You can permit 360° or 90° rotation by simply pulling the bush and stop ring from the clamp and repositioning the stop feature as shown.



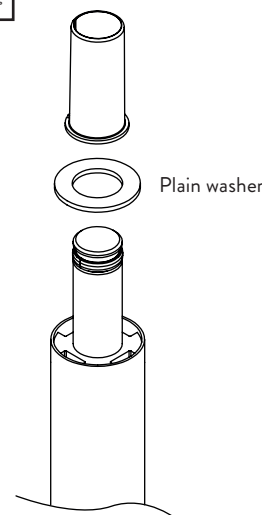
180° rotation configuration



90° rotation configuration



360° rotation configuration



**USEFUL TIP:**

Please consider retaining the unused top ring in case the clamp needs to be reconfigured in the future.

