

TECHNICAL SPECIFICATION SHEET

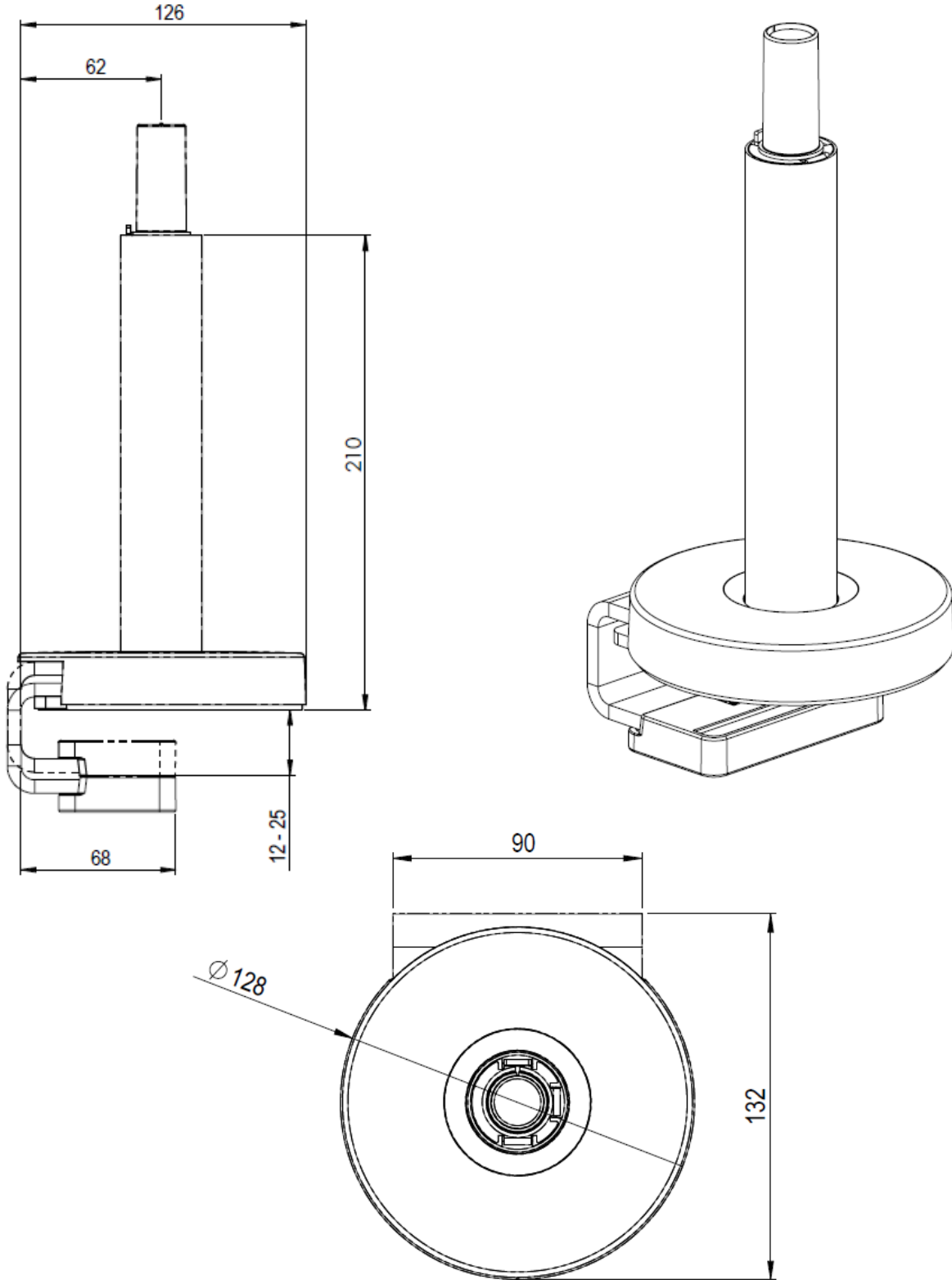
PRODUCT NAME: Ollin/Flo Extended Height Top Mount Clamp

PRODUCT CODE: DYN/013/C207

Doc Rev 1.

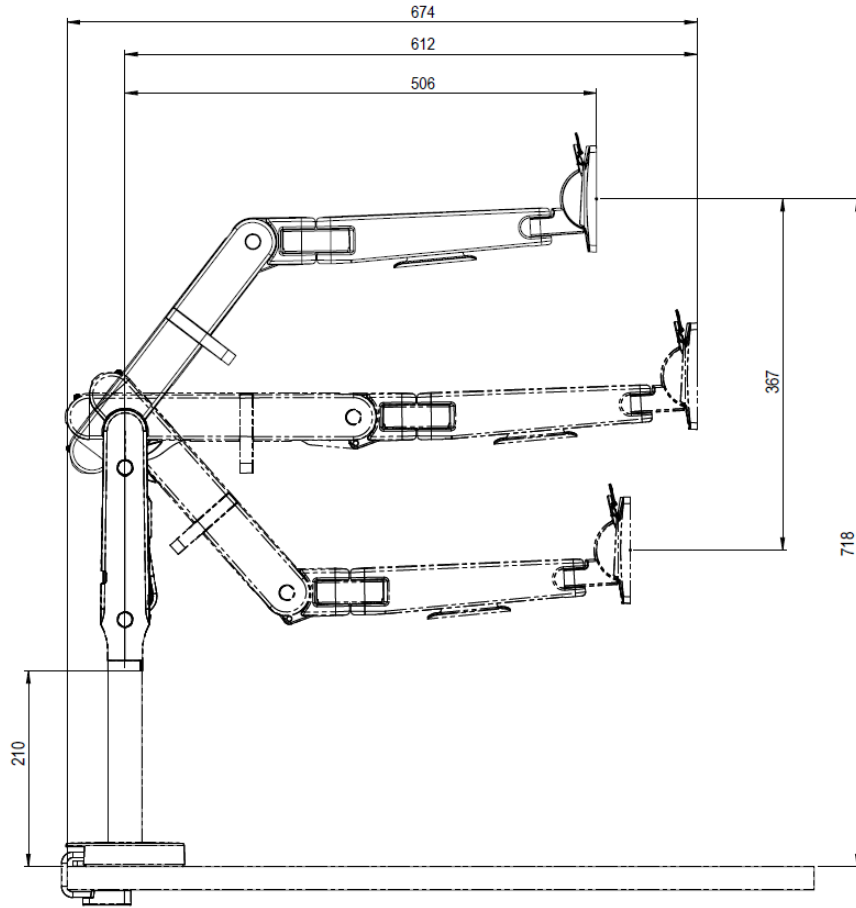
Product Rev #A

21.01.2021 KO

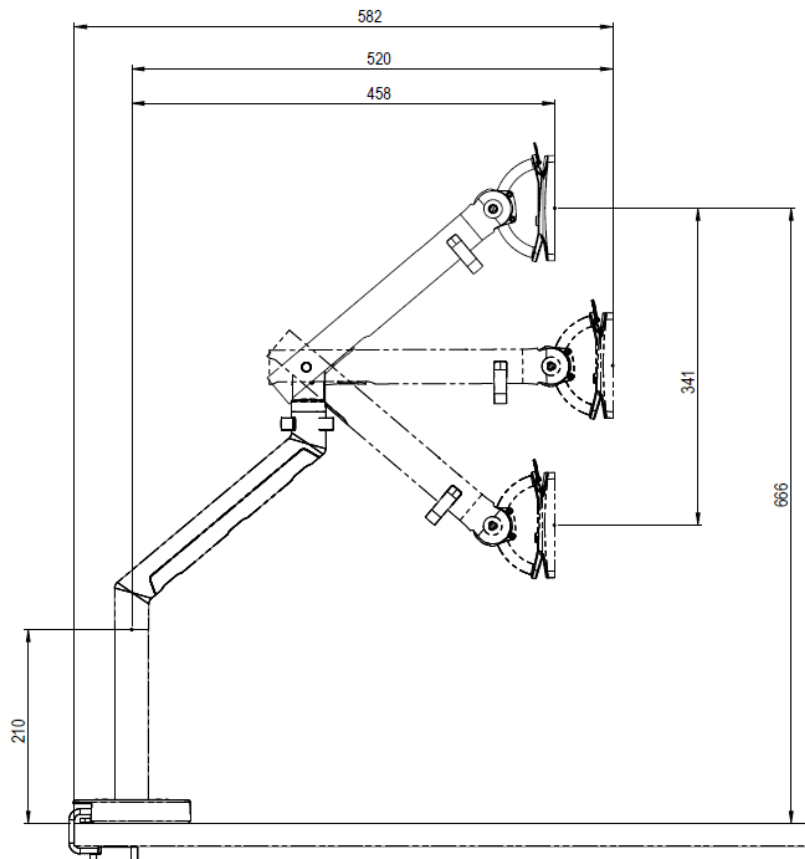


All dimensions are in millimetres

With Ollin Arm Mounted



With Flo Arm Mounted



All dimenions are in millimetres

KEY FEATURES

- Intended for use with Monto Sit Stand Riser. Raises Ollin and Flo monitor arms to a suitable height for sit-to-stand use.
- Soft pad protects work surface from damage
- Configurable 180° stop system
- Suitable for desk thickness from 12-25mm
- Available in Black, White and Silver

Load Range:	0 to 9kg
Height Range:	210mm increase in mounted height of monitor arm
Work Surface Range:	12 to 25mm thickness
Recycled content:	12%
Total product recyclable:	100%
Product Packaging:	100% plastic-free

LOGISTICAL

Box contains:	Extended Clamp assembly, 180° reconfiguration washer, instructions for installation and use.
Product net weight:	1.86kg*
Box dims:	320 x 140 x 140mm*
Box gross weight:	2kg*
Master carton quantity:	8 pcs
Master carton dims:	585 x 340 x 315mm*
Master carton gross weight:	17.3kg*
Pallet quantity:	120 pcs (15 master cartons)
Pallet dims (HxWxD):	118 x 95 x 106cm*
Pallet gross weight:	284kg*
Country of origin:	China

*Sizes and weights are approximate and may be subject to variation

ORDERING INFORMATION

<u>Product Description</u>	<u>Product code</u>	<u>Colour</u>
Ollin/Flo Extended Height Top Mount Clamp	DYN/013/C207/B	Black
Ollin/Flo Extended Height Top Mount Clamp	DYN/013/C207/S	Silver
Ollin/Flo Extended Height Top Mount Clamp	DYN/013/C207/W	White

WARRANTY

Warranty Term	Limited lifetime
----------------------	------------------

CERTIFICATION AND AWARDS

Whilst no mandatory standards apply to the monitor arm product sector, all Colebrook Bosson Saunders monitor arms have been designed with appropriate articulation features, dimensional range and adjustability to conform to the requirements of BS EN ISO 9241:5 1999 Ergonomic requirements for office work with visual display terminals (VDTs).

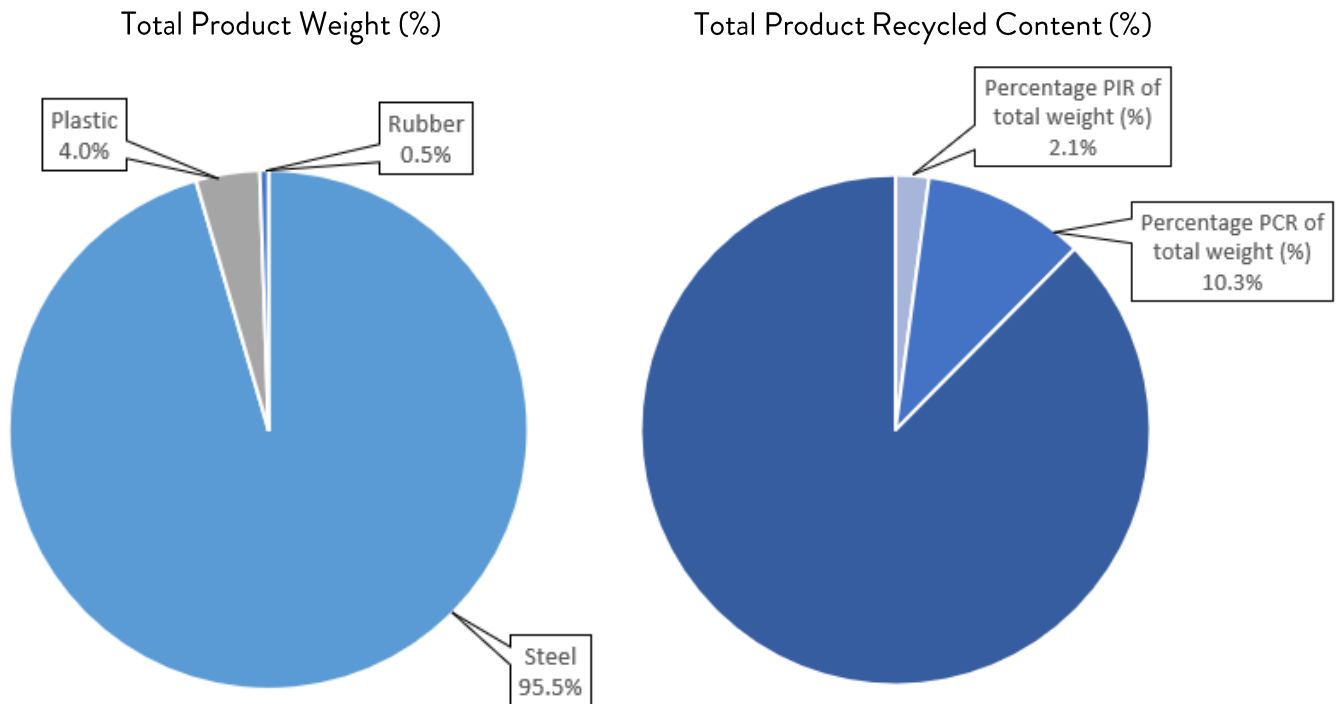
ENVIRONMENTAL

Material Make-up			Total Recycled Content	Breakdown of Recycled Content		Total Recyclable	
Overall Product			Overall Product			Overall Product	
Material type	Total Material type weight (g)	Percentage of Total Product Weight (%)	Material-Type Recycled Content (%)	Percentage PIR of total weight (%)	Percentage PCR of total weight (%)	Total Product Recyclable (g)	Total Product Recyclable (%)
Steel	1777.0	95.5%	12.4%	2.1%	10.3%	1777.0	95.5%
Plastic	74.0	4.0%	0.0%	0.0%	0.0%	74.0	4.0%
Rubber	10.0	0.5%	0.0%	0.0%	0.0%	10.0	0.5%
Total	1861.0	100.0%	12.4%	2.1%	10.3%	1861.0	100.0%

Due to calculation rounding there may be some small variations in displayed percentage totals.

PIR = Post Industrial Recycled

PCR = Post Consumer Recycled



Product packaging is 100% plastic-free

CLEANING, STORAGE & MAINTENANCE

Routine servicing	Periodic inspection
Service components	Available to order
Cleaning & Maintenance	Damp cloth, no abrasives, no solvents to be used on the cosmetic surfaces
Handling & Storage	Do not drop or expose to moisture

While every effort is made to ensure the accuracy of our technical information, Colebrook Bosson Saunders (Products) Ltd accept no liability for the accuracy of the information contained in this document and reserve the right to modify the specifications or data contained herein without prior notification.