



DESKLIFT™ DL6
Data sheet

DESKLIFT™ DL6

The DESKLIFT™ DL6 is a compact three-part lifting column, which is a perfect choice for a wide range of different desk applications ranging from industry to office desks. The three-part construction ensures a short installation dimension combined with a long stroke length making the DL6 the optimum choice for the desk no matter the height of the person using it. The middle profile of the DL6 moves synchronously so the profiles are always in the same height optimising the desk design and the stability. The DL6 has a compact motor housing, which is almost invisible in the tabletop construction, and the column is very sturdy. The DL6 has the same outer dimensions (50 x 80 mm) and mounting holes as the two-part DL5 column, which makes them compatible. Therefore, they can be used in the same tabletop and table foot construction, including the Kick & Click top frame. The DL6 is available in several standard colours to fit into a wide range of desk designs.

The wide DL6 product programme offers various options such as:

- DL6 PLUS™ - a design-optimised version
- PIEZO™ (collision protection) minimising the risk for damage to a desk caused by collision with an obstacle
- versions for bench solutions

The DL6 system is controlled by a DESKLINE® control box (CBD). The control box ensures optimal parallel drive and a pleasantly low noise level. The DL6 can be used as a single column, with 2, 3 or 4 columns in parallel systems, or up to 16 columns in multi-parallel systems.



Features:

- Compact design where guide and actuator functions are an integrated unit
- Reinforced column and optimised motor housing design for extra strength and stability
- Plug mounted on the DL6 for connection to the CBD with a separate DESKLINE® motor cable
- Max. load 800 N per column (Standard)
- Max. speed 38 mm/s unloaded
- Installation dimension: 560 mm
 - 518 mm (BIFMA)
- Stroke length:
 - 650 mm
 - 665 mm (BIFMA)
- Weight: Approximately 7.5 kg per column
- Dimensions column: 50 x 80 mm (outer profile), 43.5 x 73.5 mm (middle profile) and 37 x 67 mm (inner profile)
- Dimension motor housing: 177 x 97 x 46 mm
- Bending moment: $M_y = \text{max. } 150 \text{ Nm dynamic}$
- Colour: Available in black (RAL 9005), grey (RAL 9006) or white (RAL 9016)
- Low noise level

Options:

- PIEZO™: Integrated sensor minimising the risk of damage to a desk caused by squeezing or blocking it in upward or downward direction
- PLUS™: No visible gliding pads
- Max. load 1200 N per column (12 mm spindle pitch)
- Available with bench bracket
- Mounting bracket for a crossbar in a parallel system (40 x 120 mm)
- Available as DESKLIFT™ SetPack

Usage:

- Single or 2, 3 or 4 parallel drive or even multi-parallel with up to 16 columns
- Duty cycle: 10 % ~ 2 minutes continuous use at full load, followed by 18 minutes pause
- Ambient temperature: 10 to 40 °C
- Storage and transportation temperature: -10 to +70 °C
- Compatible with DESKLINE® control boxes and all DESKLINE® controls
- Compatible with the Kick & Click™ top frame
- Compatible with DESKLIFT™ Feet
- System compliance, see the Declaration of Conformity in the User Manual

With a fully retracted length of 560 mm and a stroke length of 650 mm, it is possible for a standard system to obtain an adjustment range of the tabletop from e.g. 600 to 1250 mm. Thus, the desk can be used for sitting as well as for standing types of work.

DL6

Ordering example:

DL6	0	0	0	B	N	0	650	560	
									Installation dimension:
									560 = 560 mm
									518 = 518 mm (BIFMA)
									Stroke length:
									650 = 650 mm
									665 = 665 mm (BIFMA)
									Motor type:
									0 = Standard
									E = PIEZO™ + IID
									Option:
									N = Standard
									P = PLUS series
									Colour:
									A = Grey (RAL 9006)
									B = Black (RAL 9005)
									D = White (RAL 9016)
									Mounting bracket:
									0 = None
									1 = 120 x 40 x 8 mm (with 2 x M8)
									L = Bench bracket on left narrow side
									R = Bench bracket on right narrow side
									Option:
									0 = Standard
									Spindle type:
									0 = 20 mm pitch (Standard)
									1 = 12 mm pitch (1200 N)
									Actuator type:
									DL6



All cables for creating a fully connected DESKLINE® system must be ordered separately. We offer a range of different versions and lengths. To get information as ordering number, colour and length of the cables, please contact your local LINAK.



If you want to operate a DL6 1200 N **without** PIEZO™ with a desk panel with display, you must configure the actuator type in the control box to ensure the correct read-out.

If you want to operate a DL6 1200 N **with** PIEZO™, do not configure the actuator type. This column has IID and will automatically be detected as the right type of column.

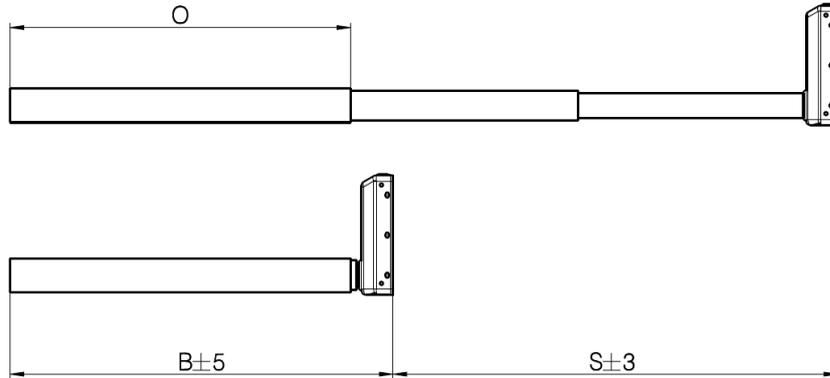


DL6 in BIFMA version is less stable in the full stroke length compared to a standard DL6 as it has less overlap between the profiles.

Dimensional drawings

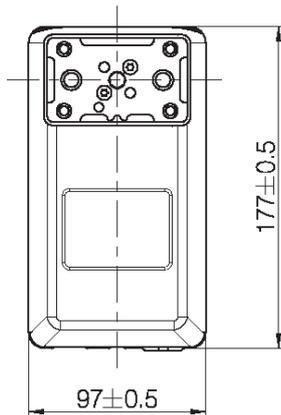


All measurements are without powder coating.

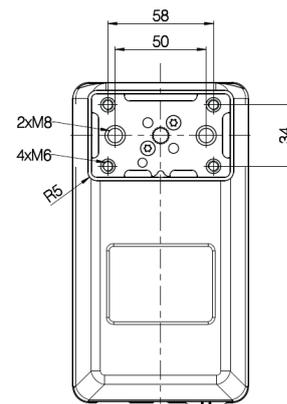


Version	Combination code	B (Built-in length) [mm]	S (Stroke length) [mm]	O (Outer profile length) [mm]
EU	DL6xxxxx650560	560	650	498
BIFMA	DL6xxxxx665518	518	665	456

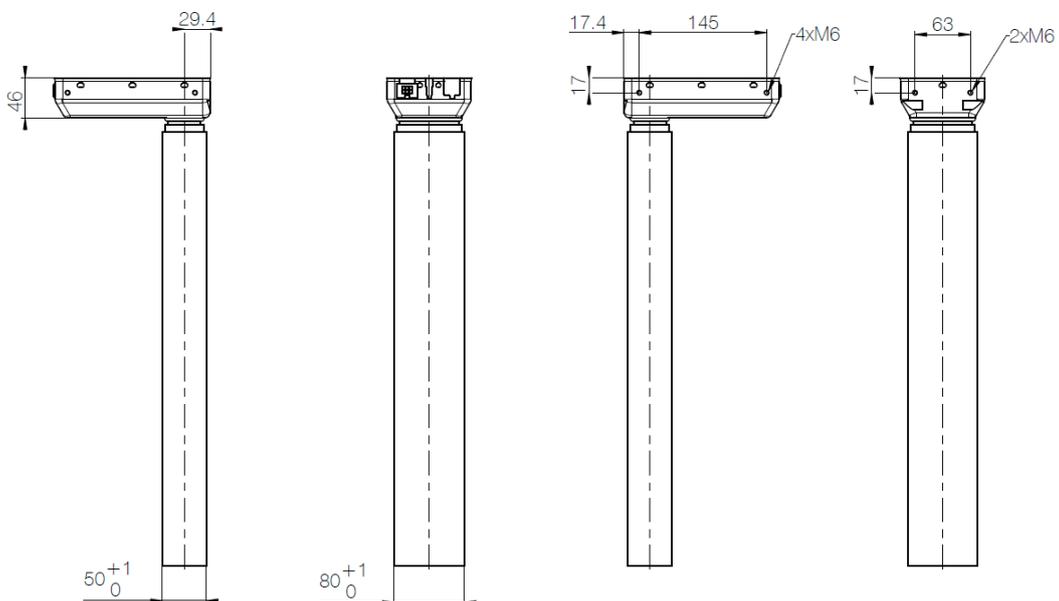
DL6 built-in length, stroke length and outer profile length (mm)



Motor housing

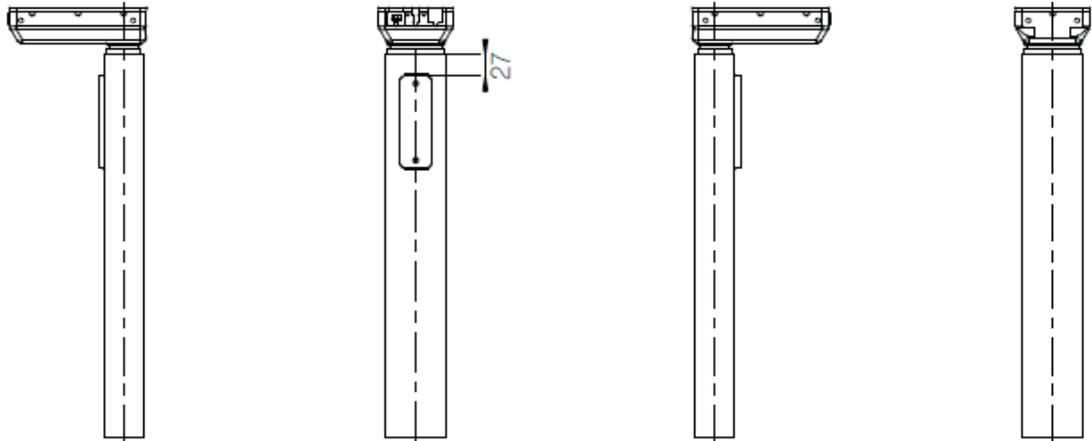


Bottom plate

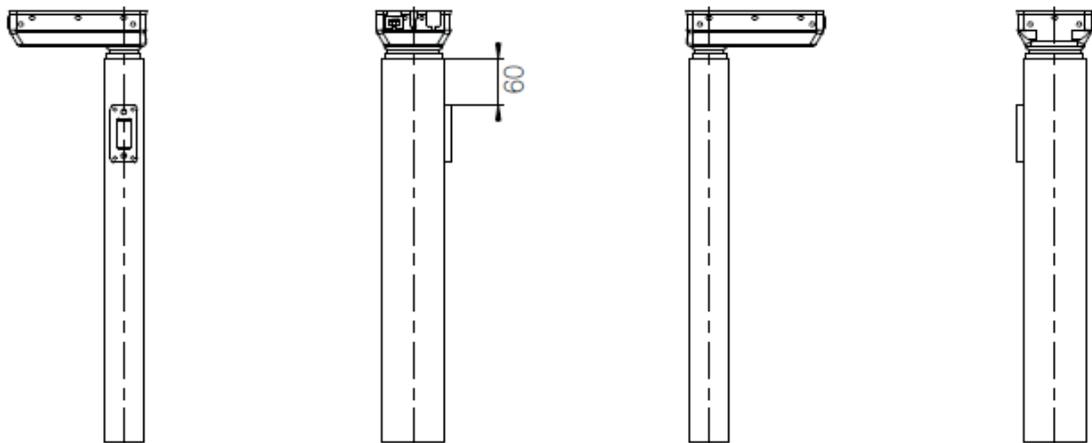


DL6 dimensions (mm)

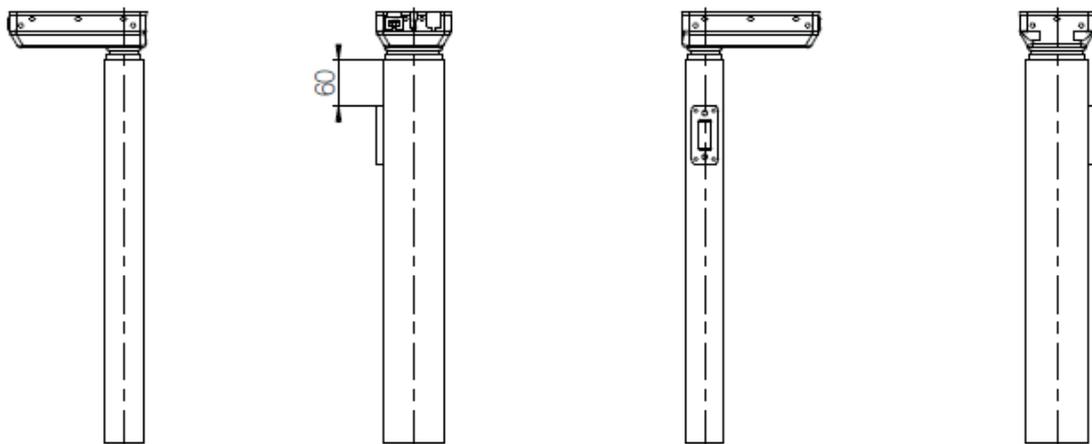
Std bracket



Bench left

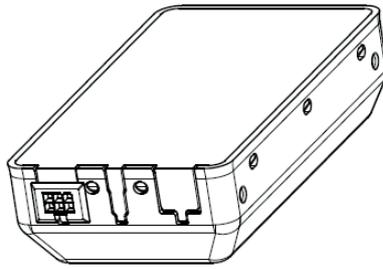


Bench right



Combination code	Std bracket	Bench left	Bench right
DL6xx1xxxxxxxxx	X		
DL6xxLxxxxxxxxx		X	
DL6xxRxxxxxxxxx			X

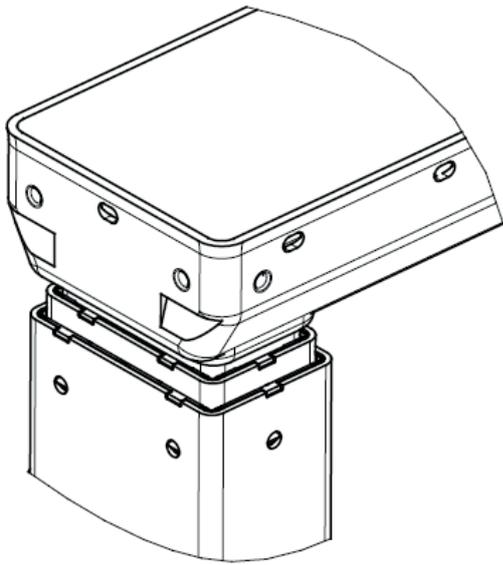
Bracket options (dimensions in mm)



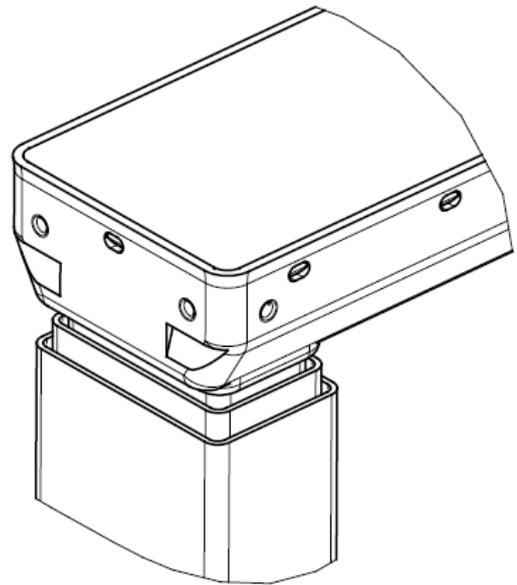
Standard

Combination code	Type
DL6xxxxx0xxxxxx	Standard
DL6xxxxxExxxxxx	Standard

Socket combination



Standard



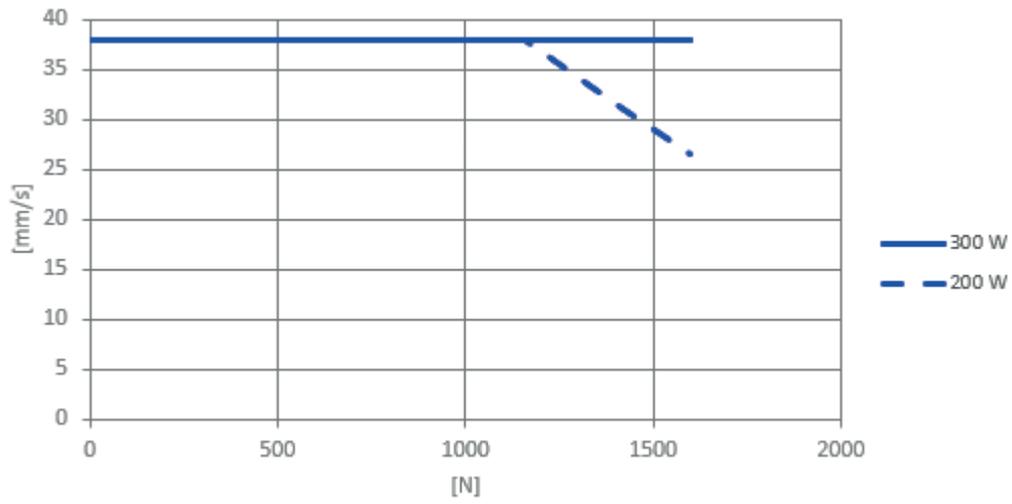
PLUS™

Profile designs

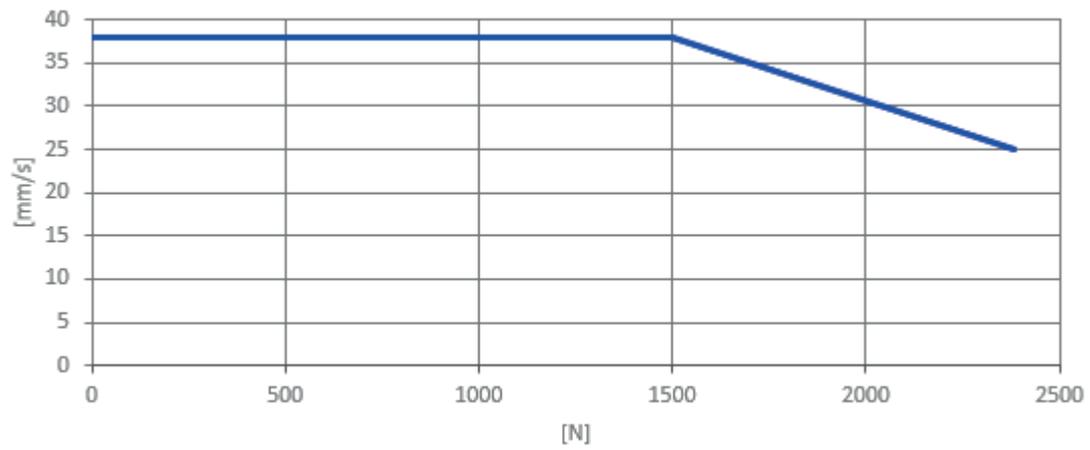
Performance curves

Curves DL6 800N (20 mm spindle) with CBD6S

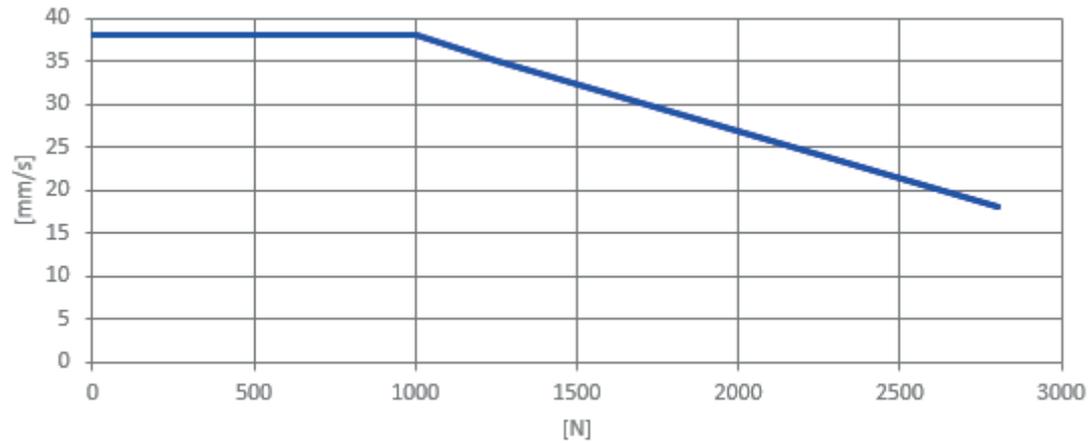
Two DL6/9/11/16/19 (equally loaded) with CBD6S



Three DL6/9/11/16/19 (equally loaded) with CBD6S

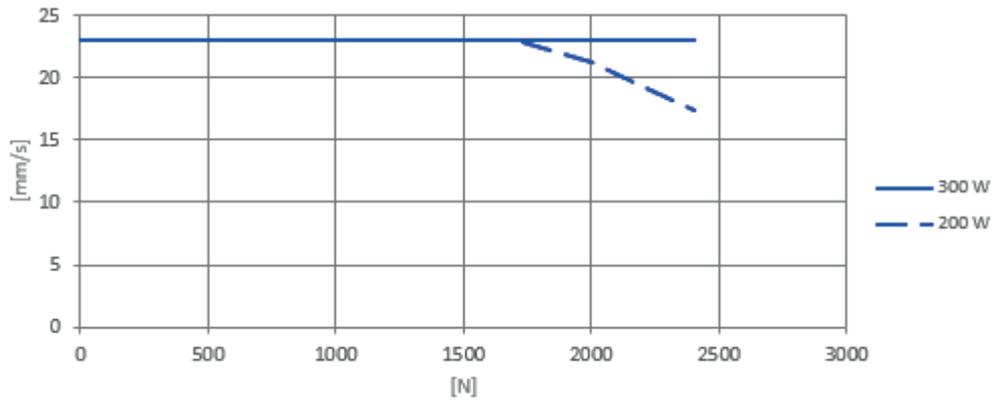


Four DL6/9/11/16/19 (equally loaded) with CBD6S

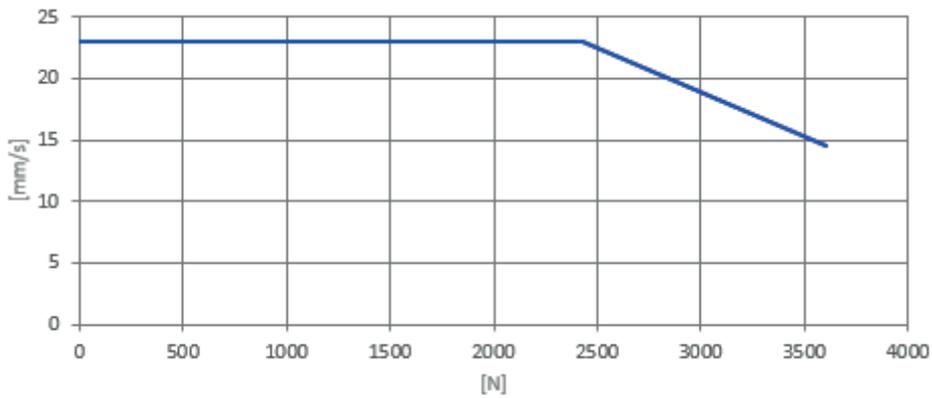


Curves DL6 1200N (12 mm spindle) with CBD6S

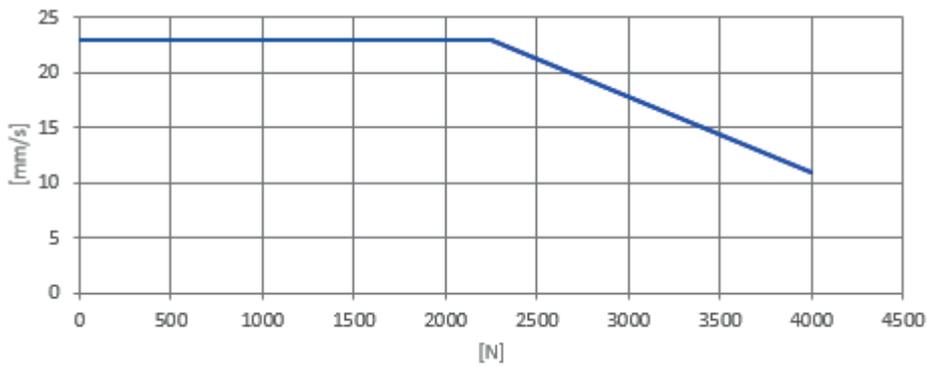
Two DL6/19 (equally loaded) with CBD6S



Three DL6/19 (equally loaded) with CBD6S



Four DL6/19 (equally loaded) with CBD6S



The data above are measured in connection with 2 to 4 DL6 lifting columns and control box CBD6S. The desk is driving upwards.



The curves above apply to a centrally placed load. With moment load, there will be increased friction in the columns, which will reduce the lifting force correspondingly.

LINAK® accepts no responsibility for possible errors or inaccuracies in catalogues, brochures, and other material. LINAK reserves the right to change its products without prior notice. LINAK cannot guarantee product availability and reserves the right to discontinue the sale of any product. The user is responsible for determining the suitability of LINAK products for a specific application. All sales are subject to the 'Standard Terms of Sale and Delivery', available on LINAK websites.

LINAK and the LINAK logotype are registered trademarks of LINAK A/S. All rights reserved.