

Monitor Arms



At Colebrook Bosson Saunders we strive for new ways to enhance user experience through the seamless connection of people and technology. Our portfolio of monitor arms represents a compelling offer of award winning industry firsts created by our team of international designers and engineers.



reddot winner 2020



reddot design award winner 2017



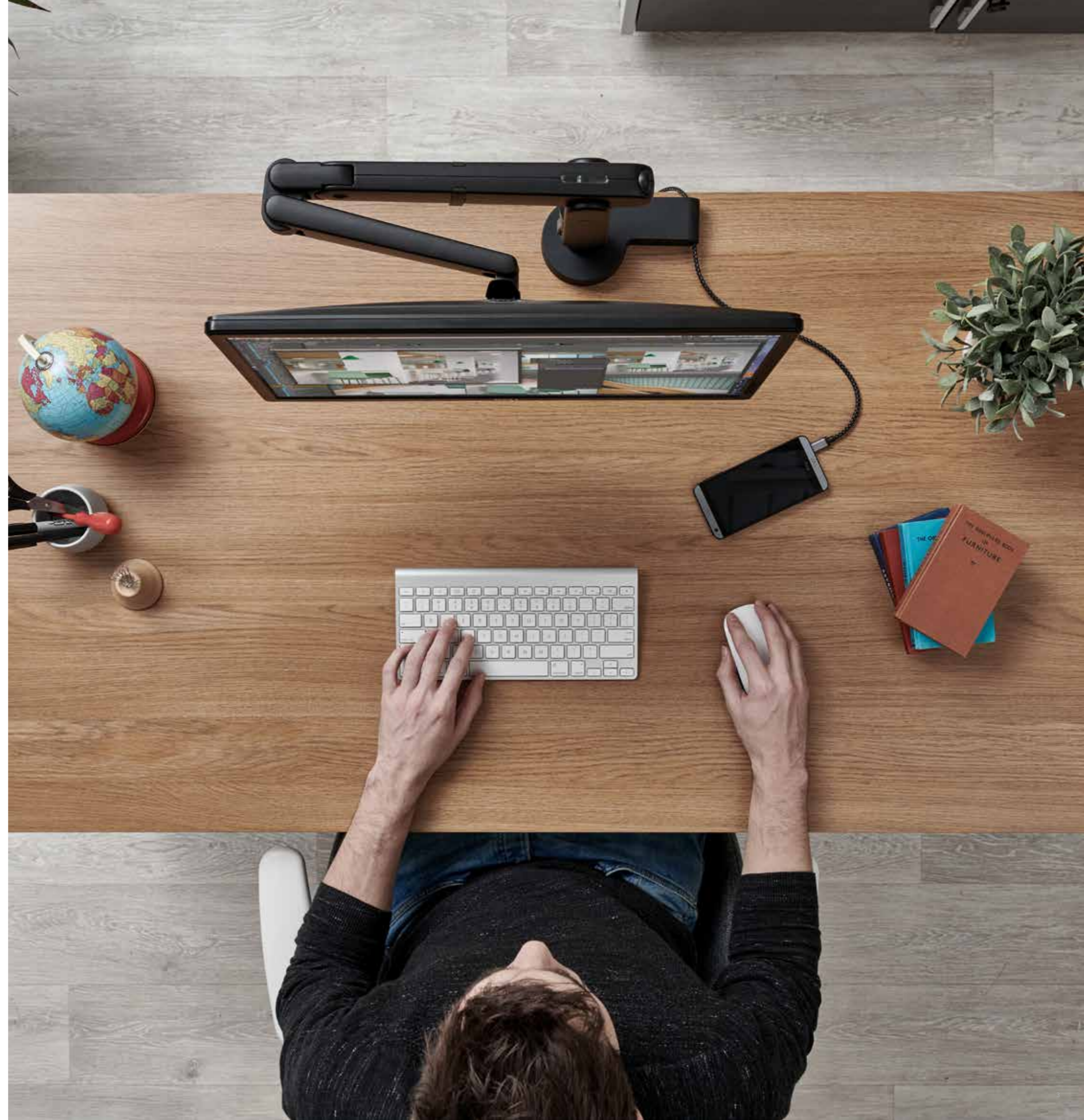
reddot design award product design 2009



SILVER



reddot design award winner 2011



Wellness in the workplace

As the awareness of the benefits of a healthy and active lifestyle grow, the demand for a workplace that promotes wellbeing are increasing.

We spend so much of our day in our place of work, a space that promotes wellbeing is becoming a key consideration for both existing and new employees.

To reduce the impact of musculoskeletal injuries and the impact of sedentary behaviour the need to deploy ergonomic furniture and wellness initiatives has never been greater. As individuals and companies start to adopt new working styles and furniture solutions, such as sit-stand desking, the connection between the person and their technology can be easily forgotten.



80% of the office population will experience back pain at some point in their careers.¹



91% of all computer users suffer from eyestrain.²



45% of 16 to 24-year-olds now say they suffer from back and neck pain, a year on year rise of 60%.³



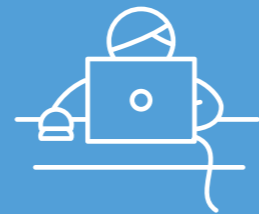
The average person suffering from a musculoskeletal disorder took 17.6 days off work which resulted in 8.9 million working days lost between 2016 and 2017.⁴



The average Briton now spends around 1.8 hours a day sitting looking at mobile technology, 3.7 hours using a laptop or desktop computer, 1.4 hours gaming and 2.8 hours watching television or films.⁵



US research shows that for every dollar invested in an office ergonomic intervention strategy, there is a return of \$17.50.⁶



The British Chiropractic Association states that increasing number of 30 years olds are spending up to 10 hours a day sitting down, often behind screens. 59% of them stating their work day is mostly spent sitting.⁷



Organisations that employ strategies to improve workplace ergonomics have found that musculoskeletal disorders (resulting in lost work time) were three times less likely to occur.⁸



Global workforce experts, ManpowerGroup predicts that by 2020 the workforce will mostly be millennials with an organisations approach to workplace wellness being a key consideration when choosing a new job.⁹



Why a monitor arm matters

Using a monitor arm offers the user many benefits and is far more than just a solution to getting a screen off a desk.

If we can't adjust our monitors, we adjust ourselves and our posture to the position of our screen. We hunch. We crane our necks. And in computer intensive roles, we do this for long periods of time. This leads to eye, neck and back strain, which in turn leads to musculoskeletal disorders, time off work, and ultimately a loss in productivity.

This is where an adjustable monitor arm is key. If a person can adjust the height and the distance of their monitor it means they can adjust their technology to their own unique requirements. Reducing the occurrence of eye, neck and back strain.

And as we move to agile working environments, reducing the number of assigned workstations, the ability for a person to adjust their screen no matter where they are sitting becomes increasingly key.

THE MAIN THINGS TO CONSIDER ARE:

- 1. Seated eye height**
As humans our eyes 'scan' downwards' so the top of a monitor needs to be aligned with the person's seated eye height.
- 2. Screen distance**
The screen should be arm's length from the person, so they can read the information on the screen reducing eye strain.
- 3. We are all different**
Each person will have a different preference to how they want to position their monitor. An adjustable monitor arm empowers them to change the position of their monitor to one they find most comfortable.



All rise

The benefits of alternating between a sitting and standing position are becoming increasingly well-known and instrumental in promoting workplace wellbeing.

With this change in body positioning comes a change in the relative height of the monitor. Research has shown that when standing, people prefer to have their monitor 5cm higher relative to the work surface than when seated.

If the monitor can't be adjusted then the ergonomic and wellbeing benefits of the sit/stand desk are immediately lost. An adjustable monitor arm facilitates these variations and reduces discomfort and negative impact on productivity. And ease of use is imperative: the easier something is to adjust, the more it will be adjusted.



The technology of teamwork

As we become more mobile in our work, interaction has become more frequent and collaborative work is a standard part of the working day.

Static monitor arms and stands don't support this mode of working – sharing information from an immovable screen does not give every team member a good vantage point.

Adjustable monitor arms enable a screen to be moved into a position that's visible for the entire team, which facilitates collaboration and the flow of ideas.





We've got your back

No matter which Colebrook Bosson Saunders arm you choose we offer as standard a 12 year warranty, the ability to adjust the height of the screen, its angle, and its distance from the person.

When you purchase a monitor arm from Colebrook Bosson Saunders you are investing in over 20 years of our experience in developing, designing and manufacturing these products for our customers.

We don't follow fashion or fads: our form is our function. From the way they are installed to the adjustments they offer as standard, we are champions of unseen support for the technology and the environment that surrounds it.



Install with ease

The adjustment window on Flo, Flo Plus and Ollin is a truly unique Colebrook Bosson Saunders design that enables quick and easy arm tension adjustment to accommodate the weight of the screen.

And when installing multiple monitor arms, this ability to adjust each one quickly and easily equals a considerable time and cost saving during the installation phase.

Coupled with our easy to use clamps, our monitor arms attach to the work surface with minimal effort. Innovations like these, while appearing small, ultimately have a huge impact on saving time and money.

Choosing the right arm for you and your people

We all have different styles of work. Understanding how they vary, and how they need to be supported within the workspace is key to choosing the right technology and the right monitor arm for your needs.

HYBRID WORKER

A hybrid worker works in the office four or five days per week, but only for three to five hours each day.

They have a need to be mobile around the workplace attending meetings or collaborating with colleagues. They may not have an assigned workspace so have a need to quickly setup their workspace to their requirements each day.

RECOMMENDED PRODUCTS

- Lima
- Ollin
- Flo Family
- Wishbone

MOBILE WORKER

The mobile worker is typically on the move, working in one location just one to three days each week for just a few hours a day.

Often the mobile worker will not have an assigned workstation so they need their work tools to be able to ergonomically adjust to their individual requirements quickly and easily in multiple locations.

RECOMMENDED PRODUCTS

- Lima with Laptop Mount
- Ollin with Laptop Mount
- Flo with Laptop Mount
- Flo Dual with Laptop Mount

FIXED WORKER

Works at an assigned desk more than six hours a day for four to five days each week.

The fixed worker benefits from having their ergonomic accessories permanently set to their individual requirements. And by ensuring that they are also adjustable, they can be altered throughout the day to compensate for light conditions and different task requirements.

RECOMMENDED PRODUCTS

- Lima
- Ollin
- Flo Family
- Wishbone
- Daisyone

MULTI-SCREEN WORKER

A high density worker works with a large amount of information in front of them.

Their requirements are focused around scaling the system to specific needs and the data that they are viewing. This can range from a trading desk to a control room. They have the need to change the number of screens, screen position, number of tiers and screen orientation to enable them to do their job to the best of their ability.

RECOMMENDED PRODUCTS

- Wishbone
- Flo Modular
- Daisyone



	OLLIN	FLO	FLO PLUS	FLO MODULAR	LIMA	WISHBONE	WISHBONE PLUS	DAISYONE
SINGLE	◆	◆	◆	◆	◆	◆	◆	◆
DUAL	◆	◆	◆	◆	◆	◆	◆	◆
TRIPLE	-	-	-	◆	-	◆	◆	◆
QUAD	-	-	-	◆	-	◆	◆	◆
MULTI+	-	-	-	◆	-	◆	◆	◆
DYNAMIC VERTICAL MOVEMENT	✓	✓	✓	✓	-	-	-	-
VERTICAL ADJUSTMENT	367mm	341mm	331mm	341mm	210mm	-	-	-
HORIZONTAL REACH	674mm	581mm	649mm	677mm	456mm	479mm	498mm	567mm
MAXIMUM MONITOR WEIGHT	9kg / 20lbs	9kg / 20lbs	15kg / 33lbs	9kg / 20lbs per arm	6.5kg / 14lbs per arm	12kg / 26lbs	24kg / 52lbs	8.5kg / 19lbs per arm
MINIMUM MONITOR WEIGHT	0kg / 0lbs	3kg / 7lbs	8.5kg / 19lbs	3kg / 7lbs per arm	0kg / 0lbs	-	-	-
COLOUR OPTIONS	Silver / White / Black	Silver / White / Black	White	Silver / Black	Grey / White / Black	Silver	Silver	Silver
ATTACHMENTS	Monitor / Laptop / Tablet	Monitor / Laptop / Tablet	Monitor	Monitor / Laptop / Tablet	Monitor / Laptop	Monitor / Laptop	Monitor / Laptop	Monitor / Laptop
PAGE	14 - 19	22 - 27	28 - 31	32 - 35	36 - 39	40 - 43	43	44 - 47



Unique and expertly designed, Ollin helps you interact with technology as seamlessly as possible.

Future proof your business

The technical cord that controls Ollin's arm allows it to accommodate weights from 0kg up to 9kg. No other dynamic arm on the market can accommodate; tablets, monitors and laptops in this weight range.

Smooth, dynamic movement

Ollin's smooth articulation and responsive movement gives users fingertip control of their screens. This ease of adjustment naturally invites better posture: because it's so easy to move the screen to exactly the right position, users do it without even noticing.

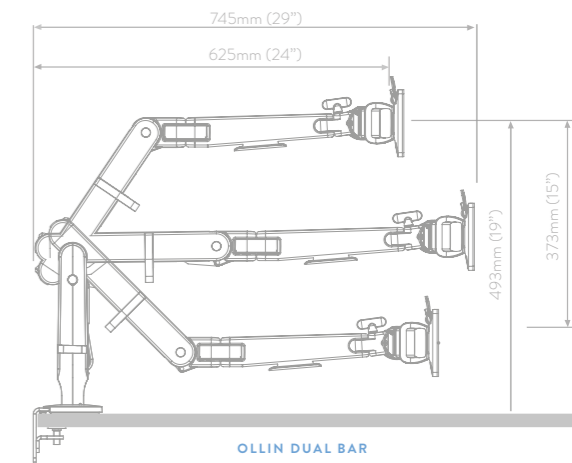
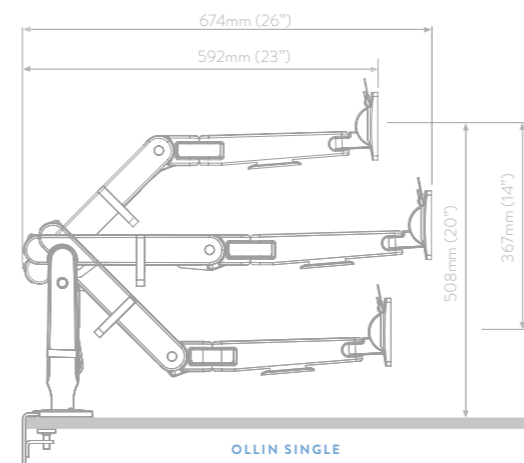
Fingertip portrait to landscape screen rotation

With minimal effort and no effect on stability, the screen can be rotated from portrait to landscape and vice versa.

FEATURES

- Extended 0 – 9k load range ideal for mounting lighter technology.
- Powered by innovative 'technical cord'.
- Low-to-desk motion and generous rearward tilt is ideal for touchscreen input applications.
- Easy 'tool-free' adjustment also features weight gauge indicator to speed up multiple installations.
- 3 point cable management.
- Arm is compatible with full range of Flo desk mounts (except dual clamps).
- Monitor tilt range: +80° / -10°.
- Dual Mount Bar expands functionality to dual screen.





OVERVIEW

- 9kg 2016
- 4kg 916
- 4kg 916
- WHITE SILVER BLACK
- TOUCHSCREEN
- LIFETIME WARRANTY

SINGLE SCREEN DUAL SCREEN

CONFIGURATIONS

- SINGLE SCREEN
- DUAL SCREEN
- LAPTOP MOUNT
- TABLET MOUNT

CLAMP OPTIONS

- SPLIT
- TOPMOUNT
- THROUGH DESK
- GROMMET

Ollin design story

A world first in monitor arm technology. When we started to design Ollin we had a unique set of objectives to achieve:

- Produce an arm that was easy to move
- Encouraged user interaction and adjustment
- Support screens from 1 - 9kg in weight in line with the market trend for lighter screens

This new arm had to be a future proofed solution that could accommodate both the technology of today, and the technology of the future without forcing the user to replace the entire arm.

OLLIN'S INDUSTRY FIRSTS

Inspired by the see-saw balancing principle and knowing that spring technology would not support this weight spectrum a new power source had to be developed - the technical cord - a world first for dynamic monitor arms.

Using a standard bungee cord as the starting point the final material for Ollin's technical cord was an elastomer polymer that generated less waste, was fully recyclable at the end of its lifetime, and could support weights from 0 to 9kg. Exceeding the initial brief.

Ollin offers unparalleled reach from the compact design of the upper element of the 'arm' enabling the user further options to adjust the screen to their unique requirements. Furthermore, with the modular nature of Ollin's 'head', coupled with its ability to support weights from 0-9kg, makes it a future proofed solution. So, you can adapt Ollin as your needs change, from moving to a light weight screen, to a laptop, to dual screens and in the future, tablets. Ollin changes with you.





Bupa | Ollin

Double. No trouble

As the amount of information we're expected to work with increases, the number of screens we use to view it is also increasing: for many people, working with two screens is now standard practice. This can increase immediate productivity, but it provides new ergonomic challenges.

People sit further away from multiple screens to increase the scope of their vision. For triple screen viewing, the average distance is 89 cm, causing users to squint or crane their neck to read text. The tendency to place screens symmetrically and give them equal prominence creates a gap in the middle that affects mouse placement and, as consequence, posture. It can encourage twisting of the spine which can lead to back pain.

Again, there's no universal optimum position for dual monitor use. Using adjustable monitor arms for both screens can help reduce the negative physical ergonomic impacts by encouraging continual correction.

GETTING IT RIGHT - DUAL SCREEN WORKING

We recommend designating a main monitor and placing it directly in front of the user, with the secondary screen to the side. As most people now use laptops as part of their dual screen set up, the laptop should ideally be used as the secondary screen. Using an external mouse and keyboard allows for further modifications and fine tuning. Easy adjustment is key to improving comfort and maximising the benefits of multiple monitor use.



Photobox Group | Ollin Dual Mount Bar



reddot design award
winner 2011

Flo effortlessly combines sleek aesthetics with excellent functionality. The Flo family offers a range of solutions designed to meet the technology challenges in the commercial office environment.

Great design, great performance

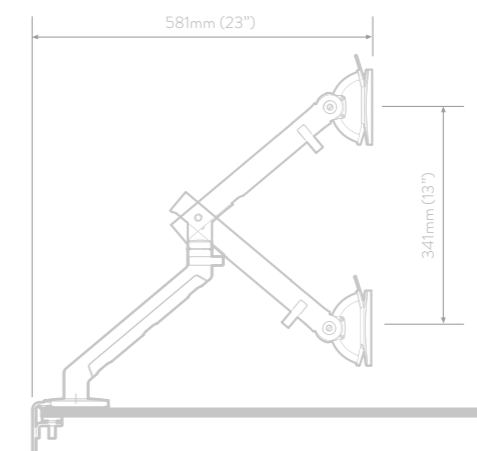
Be it single or dual screen, large screen formats or laptops, Flo provides an unrivalled ergonomic solution. And as the market leader in its class, Flo is more environmentally friendly, better looking, and a better performing product than any of its competitors.

Flo's unique design offers a range and ease of movement that sets it apart from all other monitor/laptop supports. Achieved by the use of geometric Flo Spring Technology, its unique design is protected by four international patents. And it is this commitment to innovation that is the cornerstone of Flo's performance: Flo offers smooth fingertip adjustability ensuring minimum effort is required by the user to position the screen.

As a winner of the Red Dot Award for product design, Flo represents an evolution in the design of monitor and laptop supports, offering a range of features and benefits that no other product currently on the market comes close to matching.

FEATURES

- Award winning aesthetic design and functionality.
- Smooth, dynamic movement through its patented Flo Spring Technology.
- Working load range 3 to 9kg.
- Unique head design provides unrivalled degree of flexibility for touch screens.
- Weight gauge indicator reduces installation time and provides consistent performance.
- Integrated three-point cable management system.
- Easy portrait to landscape orientation.



OVERVIEW

- 9kg
20lb
- 9kg 9kg
20lb 20lb
- WHITE SILVER BLACK
- MULTI-SCREEN
- LIFETIME WARRANTY

CLAMP OPTIONS

- 

SPLIT
- 


TOPMOUNT
- 


THROUGH DESK
- 

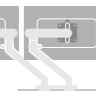
GROMMET
- 

SLATWALL

CONFIGURATIONS

- 

SINGLE SCREEN
- 

DUAL SCREENS
- 

LAPTOP MOUNT





With a maximum screen weight limit of up to 18kg, Flo Plus is the most environmentally-friendly and reliable product of its type.

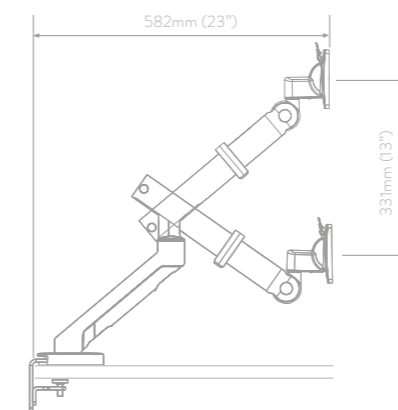
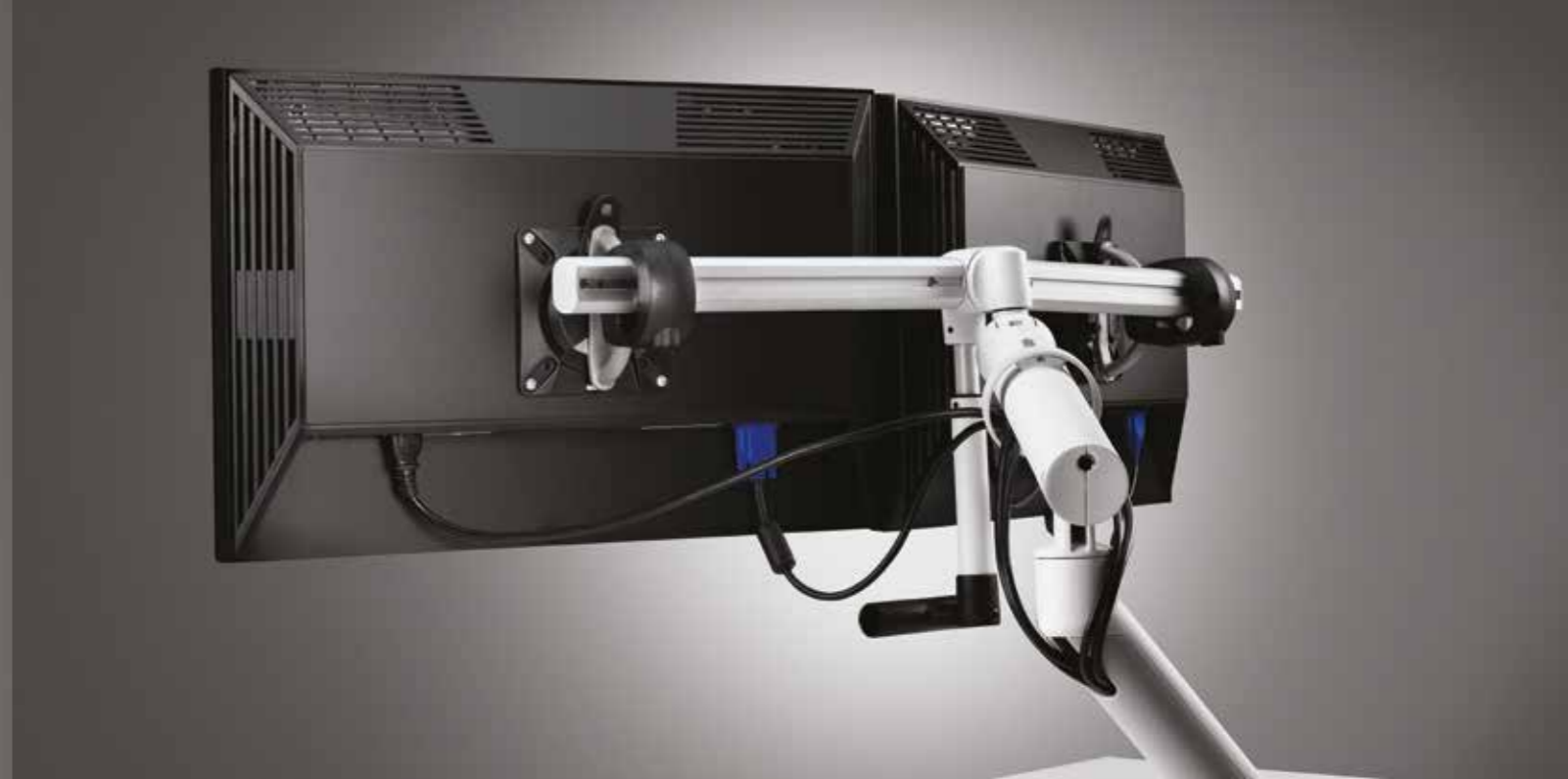
Flo Plus Dual is designed to support dual monitors to a maximum combined weight of 16kg. It allows two widescreens of up to 24" in size to be mounted in either portrait or landscape position.

Both heads have fine height adjustment, ensuring that screens can be perfectly aligned. The screen support heads have been designed to be reversible, enabling the user to install the screens in a 30° cockpit or flat screen setup by simply swapping the heads around on the support bar.

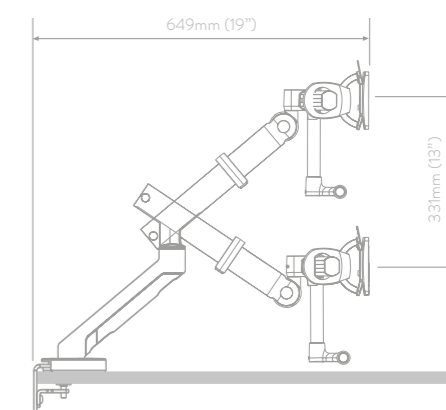
FEATURES

- Available in single screen and dual screen formats.
- Supports single screens in the load range of 8.5 - 15kg and dual screens in the load range of 3.25kg - 8kg.
- The screen can be easily rotated between portrait and landscape.
- Patented Flo Spring Technology.
- Integrated cable management.
- Visual indicator gauge for easy replication when installing multiple monitor arms.





FLO PLUS SINGLE


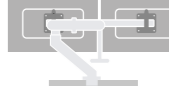


FLO PLUS DUAL

OVERVIEW

- 15kg
33LB
- 8kg 8kg
17lb 17lb
- MULTI-SCREEN
- WHITE
- LIFETIME WARRANTY

CONFIGURATIONS

- 
 SINGLE SCREEN
- 
 DUAL SCREEN

CLAMP OPTIONS

- 
 FLO PLUS SPLIT
- 
 FLO PLUS TOP MOUNT



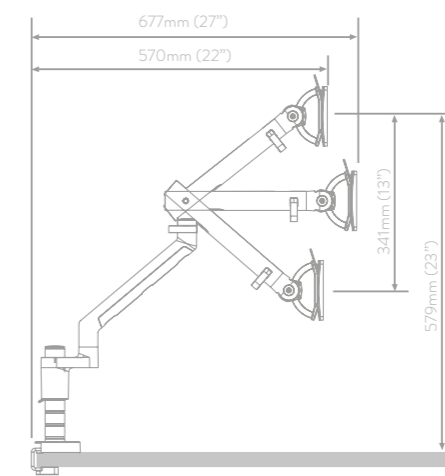
Flo Modular is our most flexible and dynamic multi-screen solution. Mounted onto the Wishbone post system, it provides a scalable solution for projects that evolve over time.

The incorporation of a post allows users to easily switch between using one or two arms. Through the use of a Wishbone C-Post, Flo Modular can support a triple screen cockpit for 22" screens in landscape or 24" screens in a portrait configuration.

A second tier can be created by extending the length of the Wishbone post. Multiple configurations include dual, triple, quad and hexa.

FEATURES

- Monitor weight range: 3-9kg per arm.
- Easy landscape to portrait orientation.
- Scalable solution: Easy to add and remove arms.
- Supports single, dual and multiple screens.
- Can be mounted at a range of heights on a single post.
- Easy 'tool-free' adjustment also features weight gauge indicator to speed up multiple installations.
- Monitor head: VESA 75 and 100 compliant.
- 90° stop function.
- Available in silver and black.



OVERVIEW

- 9kg
20LB
- 9kg 9kg
20LB 20LB
- MULTI-SCREEN
- SILVER | BLACK
- LIFETIME WARRANTY

SINGLE SCREEN DUAL SCREEN

CONFIGURATIONS

- SINGLE SCREEN
- DUAL SCREEN
- THREE SCREENS

CLAMP OPTIONS

- HIGH LOAD
- DESK
- THROUGH DESK
- GROMMET

- FOUR SCREENS
- SIX SCREENS

lima

Easy to install and adjust as either a single or dual screen solution, Lima continues our legacy of human-focused design.

An added advantage

As your workplace needs grow, Lima can too. Adding another monitor is quick and easy to do. Just order another extension arm, and then you can slide it directly on to the post. No tools, and no need to remove the existing arm, screen and cables. And that means no hassle for you.

The height of sophistication

With the press of a button, Lima allows you to move a screen up or down to the ideal height. And if you're working with dual screens, you can move each one independently. Being able to tailor each screen height and distance to your unique needs helps you adopt a good posture and allows for healthy interaction between you and your technology.

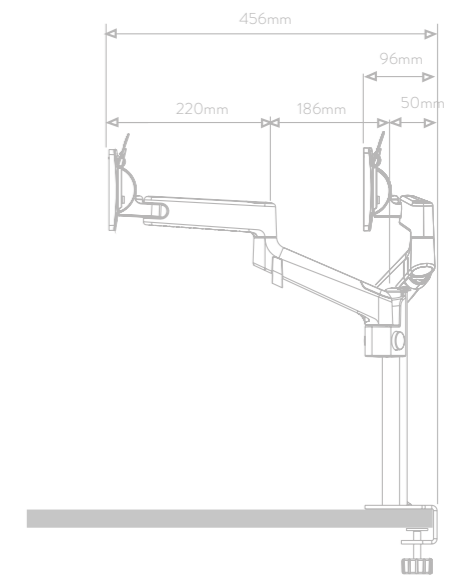
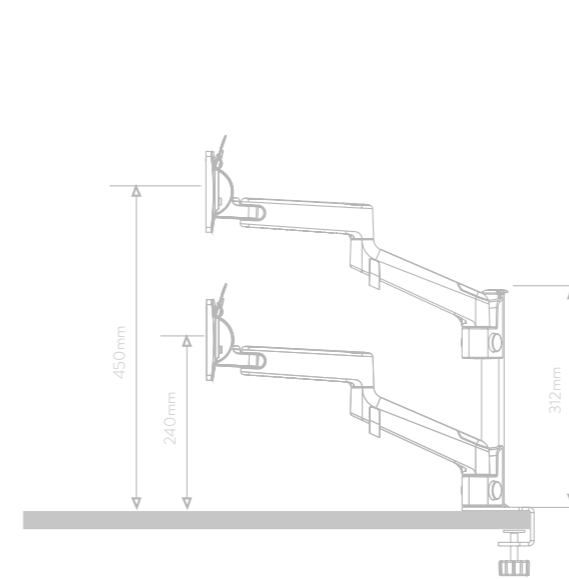
Easy to install

Lima is fast and easy to install. The post and clamp come in one piece, which attaches to the desk using a thumbwheel screw, and the arm then slides into the grooves on the post. And all you need to attach your screen to the VESA mount is a screwdriver.

FEATURES

- 0 – 6.5kg load range.
- All-in-one-box ergonomic solution simplifies specification.
- Push button screen height adjust
- Independent screen height adjustment
- Low-to-desk motion and generous rearward tilt is ideal for touchscreen input applications.
- Desk clamp range 6mm to 40mm.
- Integrated 3 point cable management.
- Monitor tilt range: +80° / -10°.
- Available in white, grey and black.





OVERVIEW

- 

6.5kg
14lb

SINGLE SCREEN
- 

6.5kg 6.5kg
14lb 14lb


DUAL SCREEN
- 

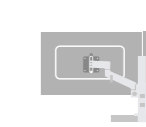
WHITE | GREY | BLACK
- 

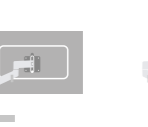
TOUCHSCREEN
- 

LIFETIME WARRANTY

CONFIGURATIONS

- 

SINGLE SCREEN
- 

DUAL SCREEN
- 

LAPTOP MOUNT



Wishbone, the design classic that set the standard for monitor arms, providing variable height range and excellent usability.

Since setting the standard back in 1999, the Wishbone range has gone from strength to strength, evolving, innovating, and adapting to the rapidly changing workplace and the challenges presented by the requirement to display large volumes of information on multiple screens.

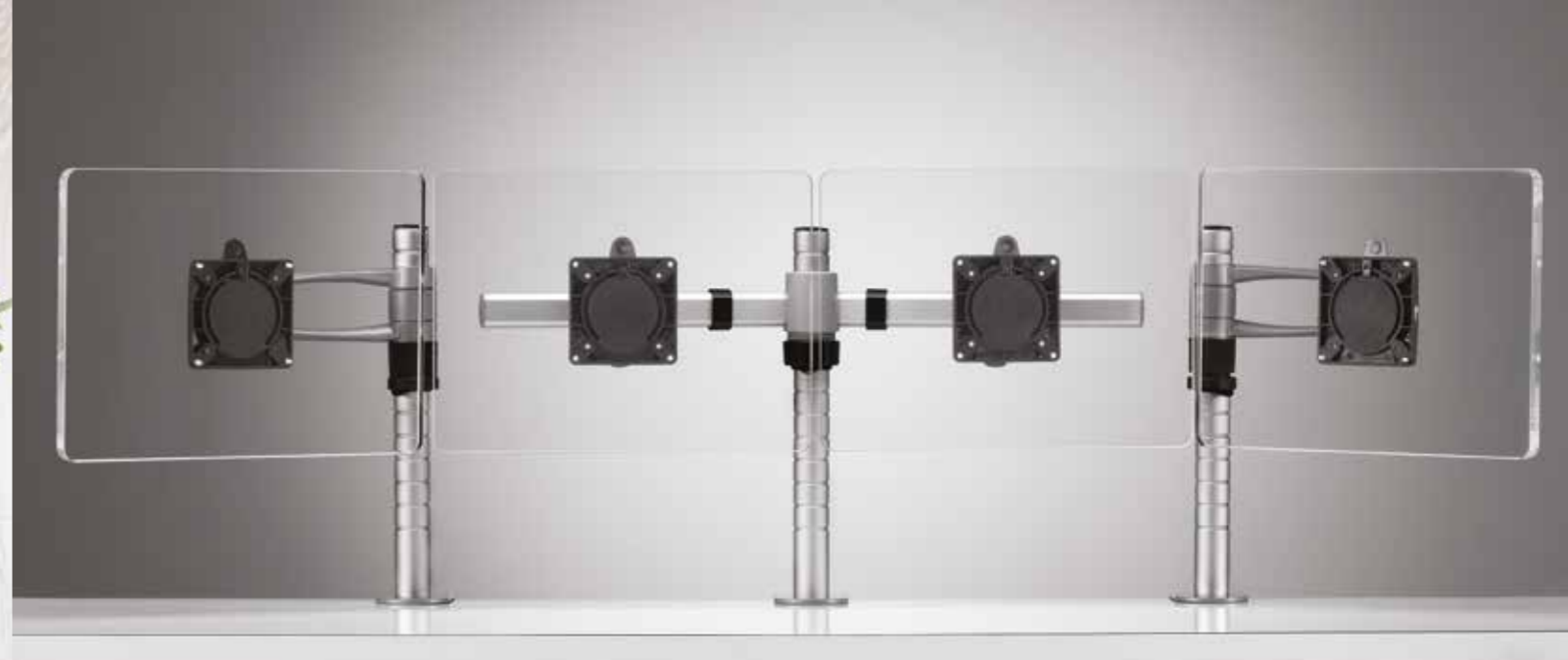
The reliability and adaptability of Wishbone has made it a favourite among trading floors, financial institutions, control rooms and multi-media environments. The modular nature of the range ensures that users are easily able to configure, add to, and customise Wishbone arms to suit their unique working environment.

Adjustable and easy to install, it is no surprise that Wishbone continues to be one of the best-selling monitor arms in the world. An elegant post-mounted arm that combines strength with ease of movement.

FEATURES

- Available in three lengths for multi-screen environments.
- Varied arrangements can be created using Wishbone post system and arm lengths.
- Can support multiple monitors.
- Wishbone standard supports screens in 0 – 12kg load range.
- Easy landscape to portrait orientation.
- Provides sleek cable management.





Wishbone Dual Bar perfect for holding two screens of equal size and dependency in position.



Wishbone Plus supports heavier screens up to 24kg offering flexibility for multi-screen environments.





DUAL SCREEN

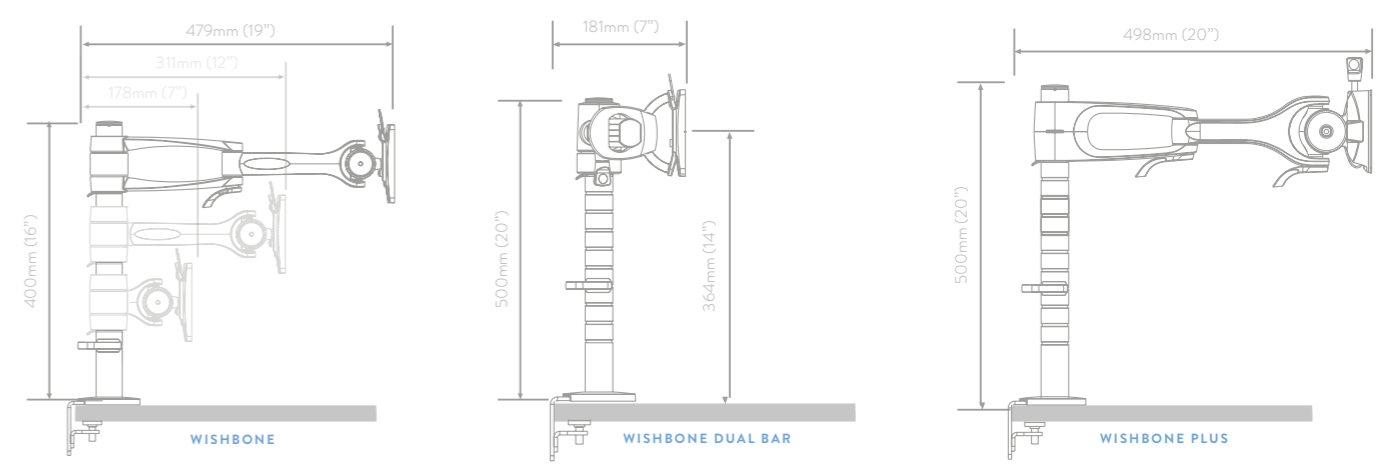















WISHBONE STANDARD OVERVIEW





SINGLE SCREEN



DUAL SCREEN







CLAMP OPTIONS



SPLIT



TOPMOUNT



THROUGH DESK




GROMMET




SLATWALL

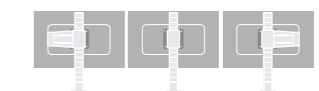
CONFIGURATIONS




SINGLE SCREEN



DUAL SCREEN



THREE SCREENS



FOUR SCREENS

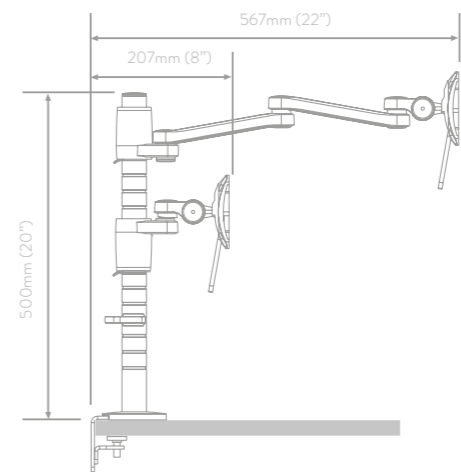
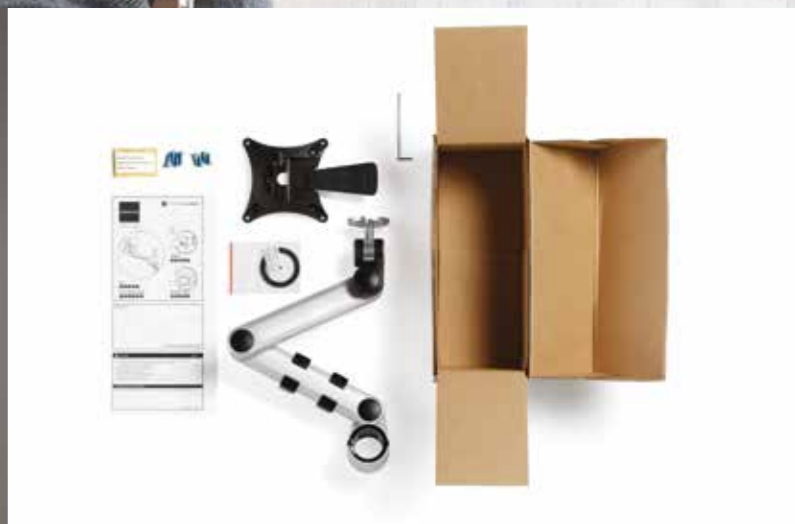
Daisyone is a highly flexible and yet incredibly simple solution. It can easily switch from single to dual and quad format with minimal cost or disruption to the user.

The cleverly designed geometry and engineering enables Daisyone to fold to a compact size when in use, ideal for scenarios where desk real estate is at a premium. This also means reduced packaging and therefore cost-effective logistics when ordered in bulk.

FEATURES

- Monitor weight range: 0-8.5kg per arm.
- An ergonomic solution for both single and multi-screen application.
- Converts easily to dual screen by inverting the second arm onto the post.
- Includes a quick release monitor mount and security feature as standard.
- Up to four arms can be mounted on a single post (in two tiers).





OVERVIEW

- 8.5kg
19LB
- 8.5kg 8.5kg
19lb 19lb
- MULTI-SCREEN
- SILVER
- LIFETIME WARRANTY

SINGLE SCREEN DUAL SCREEN

CONFIGURATIONS

- SINGLE SCREEN
- DUAL SCREENS
- FOUR SCREENS

CLAMP OPTIONS

- SPLIT
- TOPMOUNT
- THROUGH DESK
- GROMMET
- SLATWALL



Find out more about our award-winning monitor arms

CBS Resources

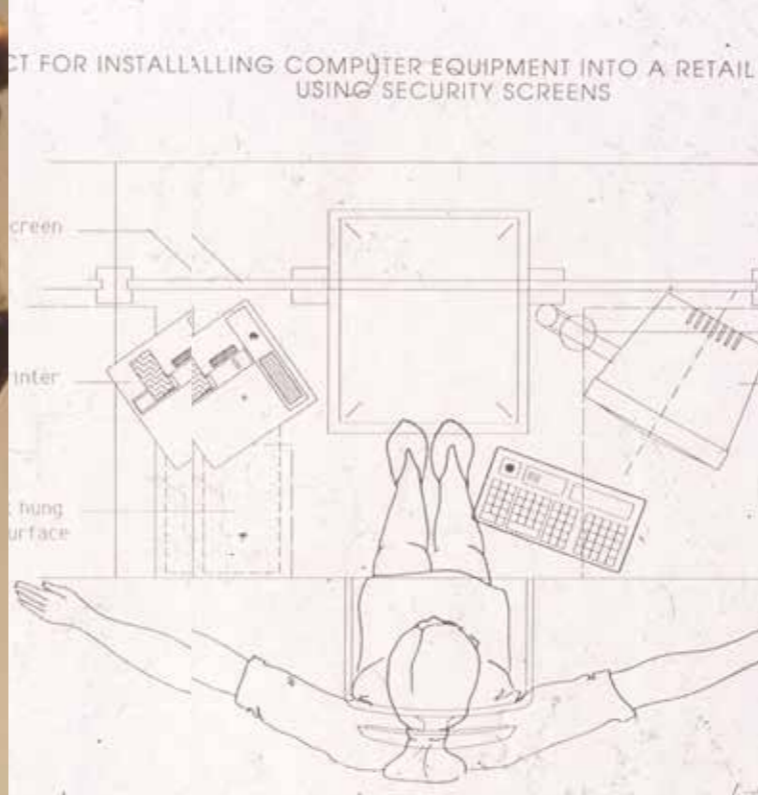
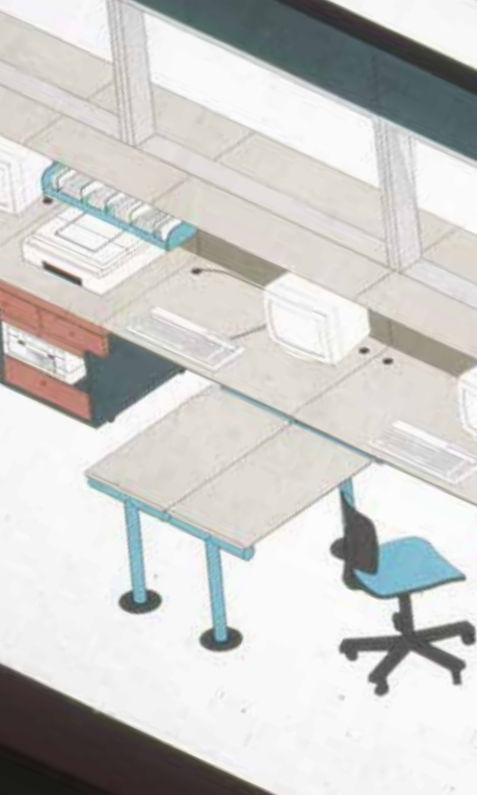
A collection of product assets to help you understand, specify and order our collection of monitor arms:

- CAD drawings
- Hi and low resolution images
- Installation instructions
- Logos
- Product information
- Product specification
- Videos
- Corporate brochure and Pricelist

WWW.COLEBROOKBOSSONSAUNDERS.COM/RESOURCES



Alternatively you can access key CBS products within pCon.planner, the 3D Interior Design software for interior designers, furniture manufacturers and facility managers.



Our story

Colebrook Bosson Saunders has been drawing on the varied and complementary skills of its founders Martyn Colebrook, Peter Bosson and Brenda Saunders since its inception in 1990.

Their blend of architecture, product design and innovation, and furniture design created unique solutions that facilitate interaction between technology and furniture in the workplace. This distinctive approach redefined workplace ergonomics, and still influences how people sit and work with computers today.

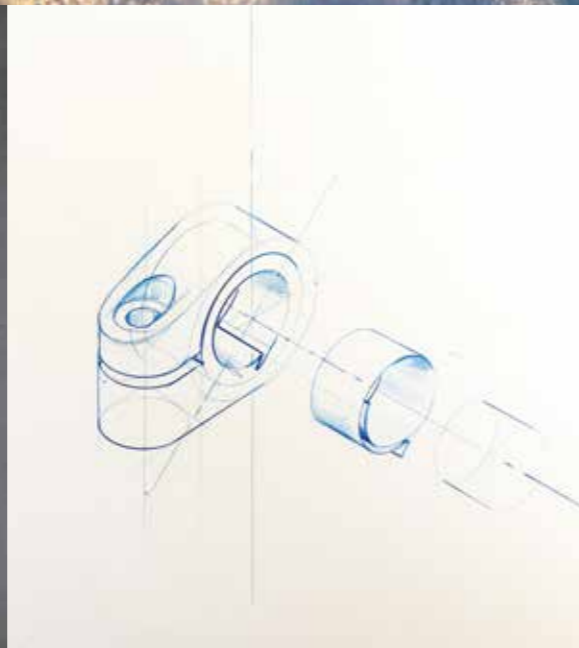
Peter and Brenda were experienced in designing interiors for financial clients who 'loaded' employees' desks with tech and IT equipment. Through assessing these set ups, they realised that the user's needs were in conflict with the technology they were using. A month-long research project by Peter Bosson and Olivetti followed, which examined the relationship between users and their technology.

In 1985 this research resulted in the development of Gemini – the world's first monitor support – and new wire management products and CPU supports.

When joined by Martyn in the early 1990's the designs pioneered by Peter and Brenda, along with their contacts in the financial sector, demonstrated that there was potential to start a business designing and manufacturing ergonomic technology support tools.

Colebrook Bosson Saunders forged new ground and pioneered workplace ergonomics. And when the flat screen monitor was invented, ten years after Colebrook Bosson Saunders' initial offering, the market really took off. Proving that inspiration can come from anywhere, it was a windsurf board that led to the idea for supporting flat screen monitors. While on his board, Peter noticed that the mast and sail were supported by a rubber 'O' ring where mast and board met. From this realisation he designed Wishbone, the first ever flat screen monitor arm on the market. This lateral approach to design has continued to enable Colebrook Bosson Saunders to create market firsts and award-winning designs which help drive human performance and improve user wellbeing.

Colebrook Bosson Saunders. Innovate. Create. Connect.





RECENT CLIENTS INCLUDE:

Bank of England
BBC
BMW
BP
British Airways
Bupa
Deloitte
Deutsche Bank
Diageo
Financial Times
Goldman Sachs
Heathrow Airport
HSBC

ING Bank
JP Morgan
KPMG
London Olympic Headquarters
Macquarie
Nomura
Photobox
Reuters
Royal Bank of Scotland
Societe Generale
UBS
Vodafone
Wembley Stadium